



Dia.163x66mm/6.5inch , 405~240CFM

TDK16333

General specification

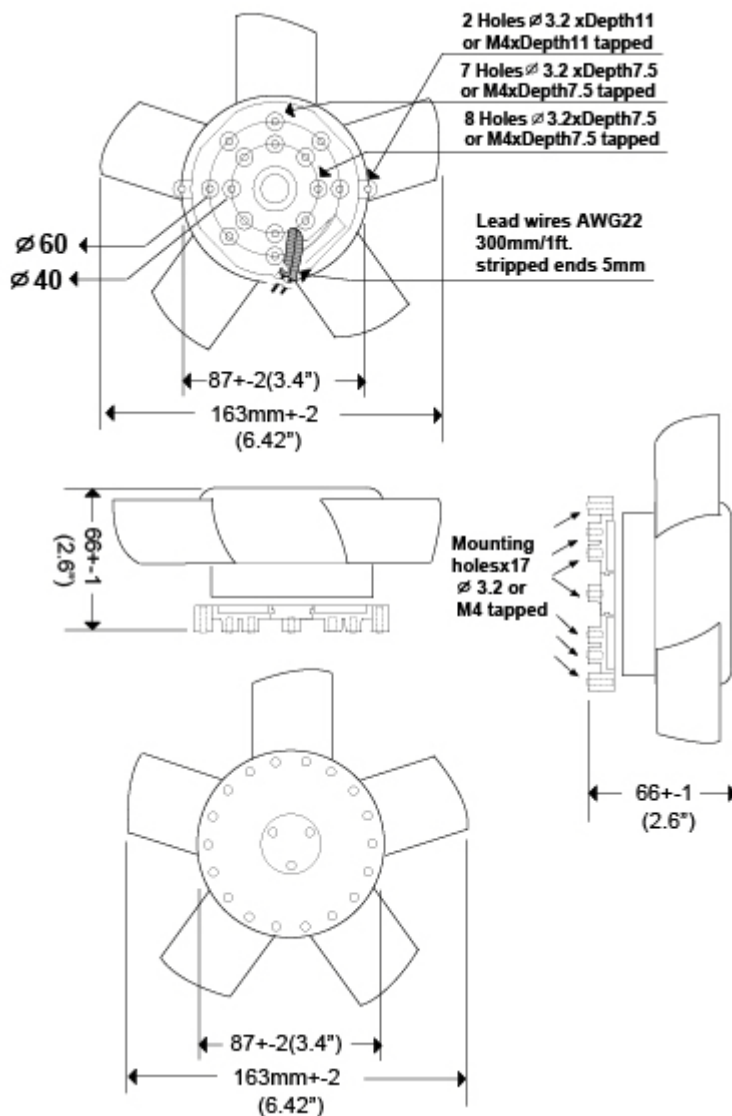


- Motor: Programmable microprocessor brushless DC, locked rotor/polarity protected
- Motor Case: Aluminum die cast, natural color treatment Optional: Black cosmetics
- Impeller: Glass fiber reinforced PBT thermoplastic, UL94V-0 impeller
- Rotation: CW looking at rotor, air inlet side of housing, air outlet from struts
- Bearing System: Two high precision permanently lubricated ball bearings
- Operating Temp: Ambient non-condensing allowable thermal range -15 ~ +65C
- L10 Life: Indoor free air running test MTBF 90K hours at 35C, 40K hours at 60C
- Dielectric Strength: 500 VAC/sec., Max leakage 0.5mA
- Connection: Wire leads connecting AWG22, 300~350mm, stripped ends 3~5mm
- Net Weight: 870 Gm (1.92 Lbs)

Model	Rated Voltage	Voltage Range	Input Power	Rated Current	Referenced Speed	Max Airflow	Max Pressure	Noise
	VDC	VDC	W	A	RPM	CFM	Inch/H2O	dB
TDK16333-H-12	12	9~13.8	23(~38)	1.9(~3.2)	3100	405	0.74	60
TDK16333-M-12	12	10~14	13.2(~22)	1.1(~1.8)	2550	340	0.51	49
TDK16333-L-12	12	10~14	5.5(~9.6)	0.45(~0.8)	1800	240	0.25	38
TDK16333-H-24	24	12~27.6	24(~36)	0.97(~1.5)	3100	405	0.74	60
TDK16333-M-24	24	12~28	13(~22)	0.52(~0.9)	2550	340	0.51	49
TDK16333-L-24	24	15~28	5(9.1)	0.20(~0.38)	1800	240	0.25	38
TDK16333-H-48	48	24~55	23.5(~35)	0.48(~0.73)	3100	405	0.74	60
TDK16333-M-48	48	28~60	14.5(~22)	0.30(~0.46)	2550	340	0.51	49
TDK16333-L-48	48	30~63	5.8(~9)	0.12(~0.19)	1800	240	0.25	38

Fan Performance Curve and Dimension

Dimensions: AxBxCxD: Dia.163x66mm/6.5inch



\* TEI reserves the right to change data and specs without notice\* Tests are at nominal voltage against zero static pressure\* Specification subject to change without notice, data tolerance +/-10%