



Dia. 60mm , 156~60CFM

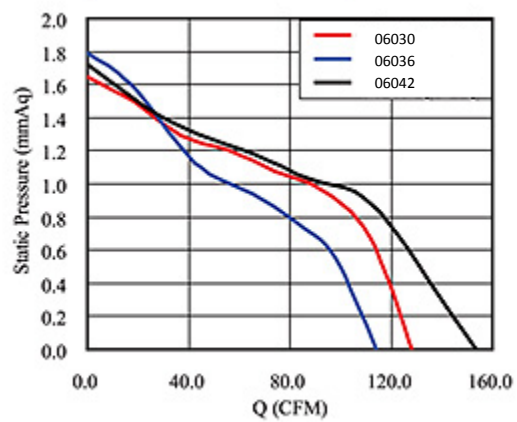
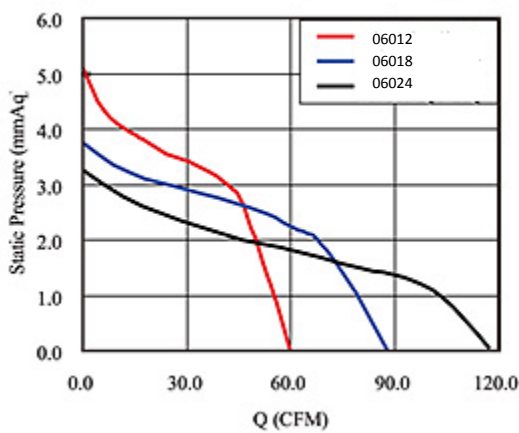
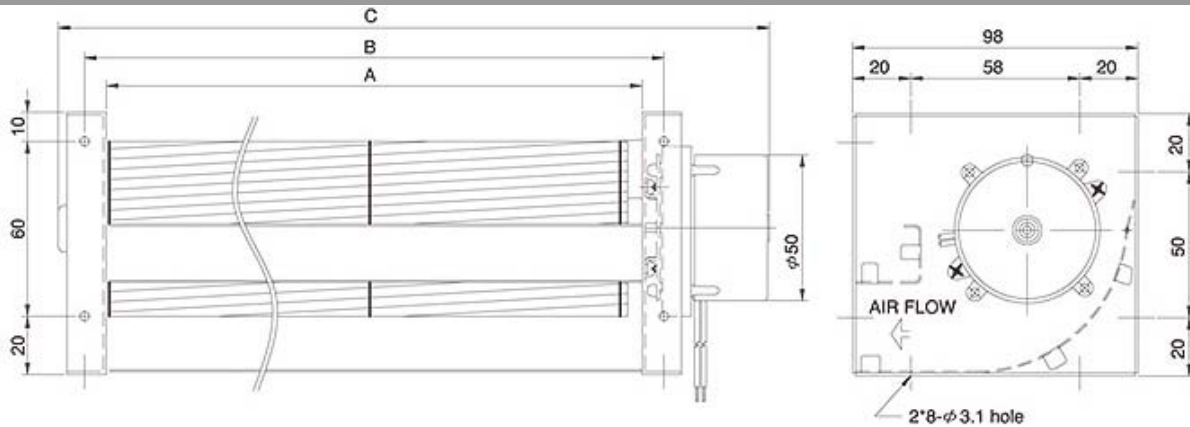
TDCF-060 General specifications



- Motor: External rotor, shaded pole, impedance protection
- Casing: Steel Plate housing & frame with black color cosmetics
- Impeller: Aluminum alloy fan blade with natural treatment cosmetics
- Rotation: CCW or CW viewed from side of motor shaft outlet for choice of R or L type
- Bearing System: Permanently lubricated ball bearings for motor and impeller bracket
- Operating Temp: Acceptable -25C~+65C. Storage -30C~+90C (65%RH)
- L10 Life: 35,000 hrs at 45C, 30,000 hrs at 55C.
- Dielectric Strength: Over 1 min. at 500VAC, 50/60Hz
- Insulation Resistance: Over 10 Mega Ohm at DC 500V,
- Connection: Wire leads connecting AWG22, 300~350mm, stripped ends 3~5mm
- Net Weight: See below

Model No.	Rated Voltage	Dimensions AxBxC	Bearing	Weight	Rated Current	Referenced Speed	Max. Airflow	Max.Static Pressure			Noise
	VDC	Mm	S/B	(grams)	A	RPM	CFM	mmAq	CE	UL	dBA
TDCF-06012-H-12	12	123x138x183	S/B	620	0.60	2500	60	5.1	X		46
TDCF-06012-H-24	24	123x138x183	S/B	620	0.40	2500	60	5.1	X		46
TDCF-06018-H-12	12	184x199x244	S/B	700	0.80	2200	88	3.8	X		44
TDCF-06018-H-24	24	184x199x244	S/B	700	0.45	2200	88	3.8	X		44
TDCF-06024-H-12	12	245x260x305	S/B	770	1.0	2000	117	3.3	X		42
TDCF-06024-H-24	24	245x260x305	S/B	770	0.55	2000	117	3.3	X		42
TDCF-06030-H-12	12	306x321x366	S/B	840	0.50	1600	113	1.8	X		38
TDCF-06030-H-24	24	306x321x366	S/B	840	0.25	1600	113	1.8	X		38
TDCF-06036-H-12	12	368x383x428	S/B	930	0.55	1500	131	1.7	X		36
TDCF-06036-H-24	24	368x383x428	S/B	930	0.25	1500	131	1.7	X		36
TDCF-06042-H-12	12	429x444x489	S/B	1000	0.60	1400	156	1.7	X		38
TDCF-06042-H-24	24	429x444x489	S/B	1000	0.30	1400	156	1.7	X		38

Fan Performance Curves and Dimensions



* TEI reserves the right to change data and specs without notice* Tests are at nominal rated voltage against zero static pressure*Specifications subject to change without notice, data tolerance +-10%