



Dia.40mm , 106~24CFM

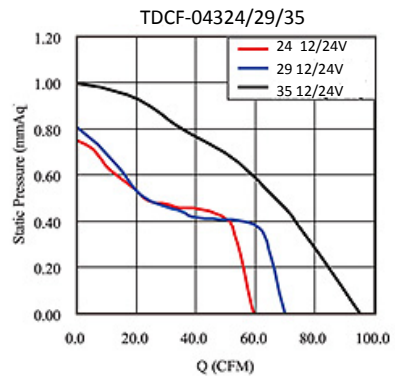
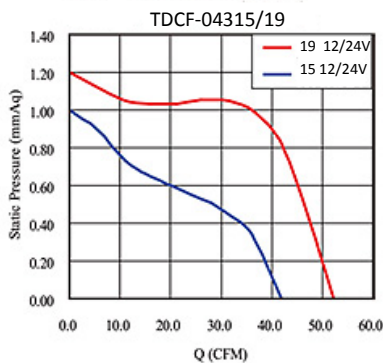
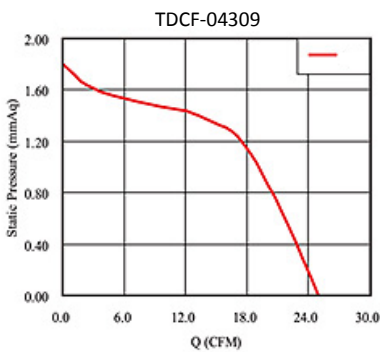
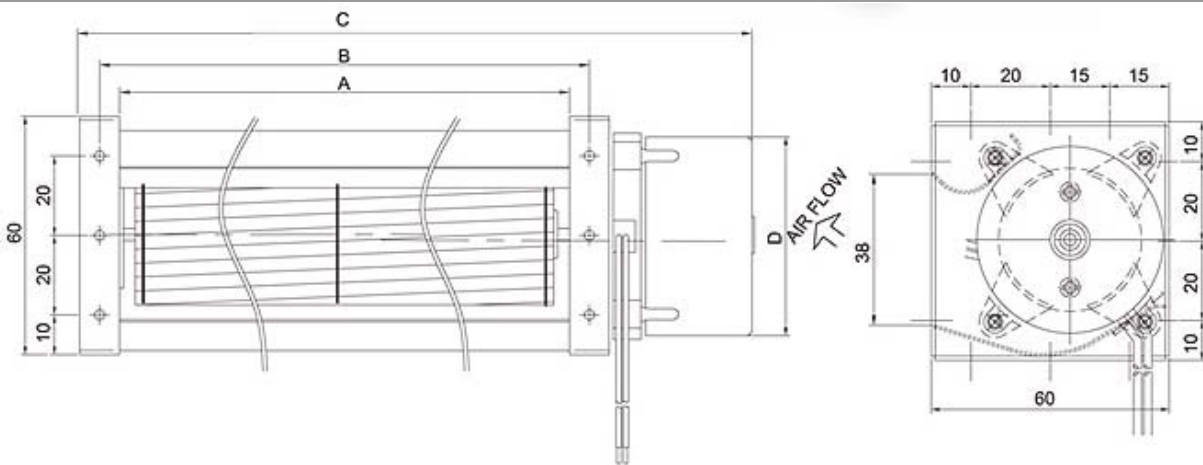
TDCF-043A General specifications



- Motor: External rotor, shaded pole, impedance protection
- Casing: Steel Plate housing & frame with black color cosmetics
- Impeller: Aluminum alloy fan blade with natural treatment cosmetics
- Rotation: CCW or CW viewed from side of motor shaft outlet for choice of R or L type
- Bearing System: Permanently lubricated ball bearings for motor and impeller bracket
- Operating Temp: Acceptable -25C~+65C. Storage -30C~+90C (65%RH)
- L10 Life: 35,000 hrs at 45C, 30,000 hrs at 55C.
- Dielectric Strength: Over 1 min. at 500VAC, 50/60Hz
- Insulation Resistance: Over 10 Mega Ohm at DC 500V,
- Connection: Wire leads connecting AWG22, 300~350mm, stripped ends 3~5mm
- Net Weight: See below

| Model No. | Rated Voltage | Dimensions AxBxCxD | Bearing | Weight | Rated Current | Referenced Speed | Max. Airflow | Max.Static Pressure | | | Noise |
|-----------------|---------------|--------------------|---------|---------|---------------|------------------|--------------|---------------------|----|----|-------|
| | VDC | mm | S/B | (grams) | A | RPM | CFM | mmAq | CE | UL | dBA |
| TDCF-04309-H-12 | 12 | 98x108x144x31 | S/B | 220 | 0.22 | 2800 | 24 | 1.8 | X | | 36 |
| TDCF-04309-H-24 | 24 | 98x108x144x31 | S/B | 220 | 0.18 | 2800 | 24 | 1.8 | X | | 36 |
| TDCF-04315-H-12 | 12 | 160x170x208x38 | S/B | 270 | 0.35 | 2500 | 42 | 1.2 | X | | 37 |
| TDCF-04315-H-24 | 24 | 160x170x208x38 | S/B | 270 | 0.20 | 2500 | 42 | 1.2 | X | | 37 |
| TDCF-04319-H-12 | 12 | 198x208x246x38 | S/B | 310 | 0.35 | 2400 | 53 | 1.0 | X | | 39 |
| TDCF-04319-H-24 | 24 | 198x208x246x38 | S/B | 310 | 0.20 | 2400 | 53 | 1.0 | X | | 39 |
| TDCF-04324-H-12 | 12 | 300x310x298x38 | S/B | 350 | 0.42 | 2200 | 60 | 0.7 | X | | 34 |
| TDCF-04324-H-24 | 24 | 300x310x398x38 | S/B | 350 | 0.22 | 2200 | 60 | 0.7 | X | | 34 |
| TDCF-04329-H-12 | 12 | 300x310x348x38 | S/B | 380 | 0.45 | 2100 | 70 | 0.8 | X | | 34 |
| TDCF-04329-H-24 | 24 | 300x310x348x38 | S/B | 380 | 0.25 | 2100 | 70 | 0.8 | X | | 34 |
| TDCF-04335-H-12 | 12 | 360x370x416x50 | S/B | 570 | 0.55 | 2500 | 95 | 1.0 | X | | 45 |
| TDCF-04335-H-24 | 24 | 360x370x416x50 | S/B | 570 | 0.35 | 2500 | 95 | 1.0 | X | | 45 |

Fan Performance Curves and Dimensions



* TEI reserves the right to change data and specs without notice* Tests are at nominal rated voltage against zero static pressure*Specifications subject to change without notice, data tolerance +-10%