



Dia.30mm , 49~21CFM

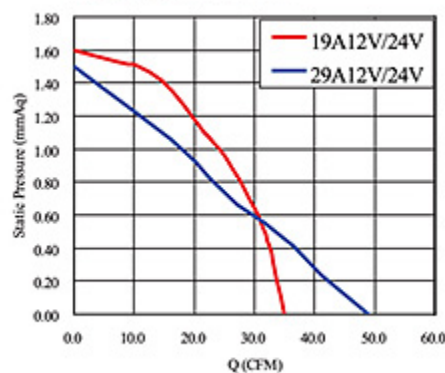
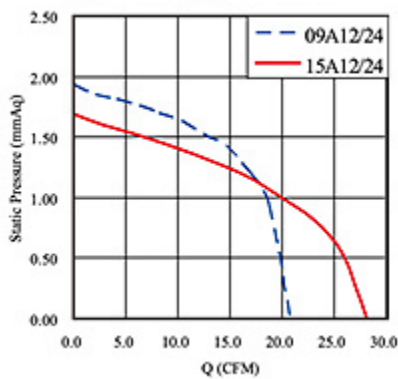
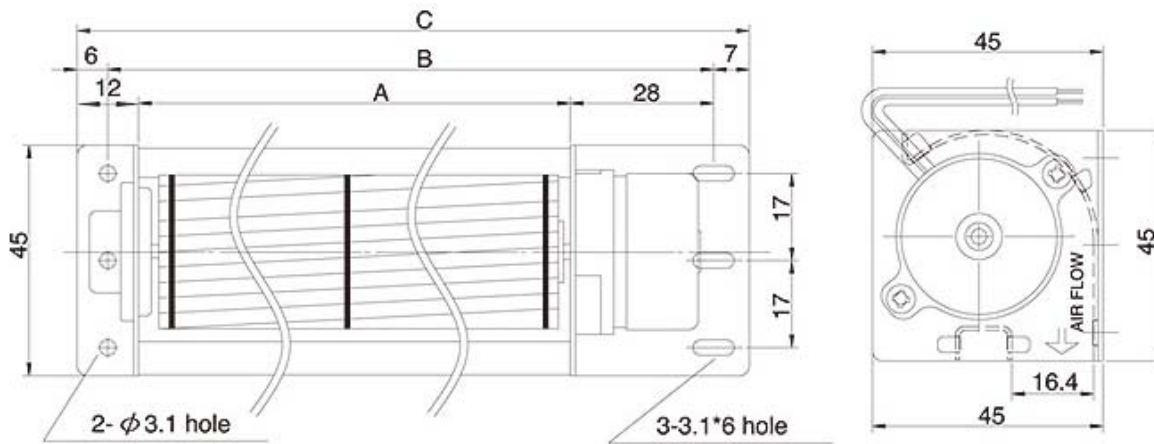
TDCF-035A General specifications



- Motor: External rotor, shaded pole, impedance protection
- Casing: Steel Plate housing & frame with black color cosmetics
- Impeller: Aluminum alloy fan blade with natural treatment cosmetics
- Rotation: CCW or CW viewed from side of motor shaft outlet for choice of R or L type
- Bearing System: Permanently lubricated ball bearings for motor and impeller bracket
- Operating Temp: Acceptable -25C~+65C. Storage -30C~+90C (65%RH)
- L10 Life: 35,000 hrs at 45C, 30,000 hrs at 55C.
- Dielectric Strength: Over 1 min. at 500VAC, 50/60Hz
- Insulation Resistance: Over 10 Mega Ohm at DC 500V,
- Connection: Wire leads connecting AWG22, 300~350mm, stripped ends 3~5mm
- Net Weight: See below
- UL File # E195890

Model No.	Rated Voltage	Dimensions AxBxCxD	Bearing	Weight	Rated Current	Referenced Speed	Max. Airflow	Max.Static Pressure			Noise
									CE	UL	
	VDC	mm	S/B	(grams)	A	RPM	CFM	mmAq			dBA
TDCF-03509A-H-12	12	98x132x145	S/B	160	0.15	3200	21	1.9	X	X	29
TDCF-03509A-H-24	24	98x132x145	S/B	160	0.51	3200	21	1.9	X	X	29
TDCF-03515A-H-12	12	160x194x207	S/B	190	0.18	3100	28	1.7	X	X	30
TDCF-03515A-H-24	24	160x194x207	S/B	190	0.16	3100	28	1.7	X	X	30
TDCF-03519A-H-12	12	198x232x245	S/B	210	0.20	2900	35	1.6	X	X	31
TDCF-03519A-H-24	24	198x232x245	S/B	210	0.16	2900	35	1.6	X	X	31
TDCF-03529A-H-12	12	300x334x245	S/B	290	0.22	2600	49	1.5	X	X	33
TDCF-03529A-H-24	24	300x334x347	S/B	290	0.20	2600	49	1.5	X	X	33

Fan Performance Curves and Dimensions



* TEI reserves the right to change data and specs without notice* Tests are at nominal rated voltage against zero static pressure*Specifications subject to change without notice, data tolerance +-10%