



120x120x32 mm, 30~20 CFM

TDB1232

General specification



- Motor: Brushless DC, auto cutoff, auto restart, locking and polarity protected motor
- Motor Protection:
- Frame: Glass fiber reinforced PBT thermoplastic, UL94V-0
- Impeller: Glass fiber reinforced PBT thermoplastic, UL94V-0 impeller
- Bearing: Double sealed high precision ball bearing
- Rotation: CW looking at rotor, air inlet side of housing
- Operating Temp: Ball bearings -20C ~ +75C
- Storage Temp:
- Life Expectancy: Ball bearings 65,000 hours at 45C, 50,000 hours at 60C
- Dielectric Strength: 500 VAC/sec. Max leakage 500 micro amp
- Connection: Wire leads
- Weight: 260 g (0.57 Lbs)
- UL File# E195890

Model	Rated Voltage	Voltage Range	Input Power	Rated Current	Ref. Speed	Max Airflow	Max Pressure		Noise	
	VDC	VDC	W	A	RPM	CFM	M3/Min	Inch/H2O		
TDB1232-H-5	5	4~6	3.8(-4.5)	0.65(-0.9)	2300	25	0.71	0.42	10.67	42
TDB1232-M-5	5	4~6	3.0	0.55	2000	22	0.62	0.38	9.65	35
TDB1232-L-5	5	4~6	2.5	0.35	1800	20	0.57	0.35	8.89	30
TDB1232-H-12	12	8~14	7.2	0.6	2700	30	0.85	0.49	12.45	49
TDB1232-M-12	12	8~14	5.7	0.47	2300	25	0.71	0.42	10.67	42
TDB1232-L-12	12	8~14	2.4	0.20	1800	20	0.57	0.35	8.89	30
TDB1232-H-24	24	12~28	8.8	0.37	2700	30	0.85	0.49	12.45	49
TDB1232-M-24	24	14~28	7.2	0.30	2300	25	0.71	0.42	10.67	42
TDB1232-L-24	24	14~28	4.8	0.20	1800	20	0.57	0.35	8.89	30
TDB1232-H-48	48	24~56	7.2	0.15	2700	30	0.85	0.49	12.45	49
TDB1232-M-48	48	28~56	5.8	0.12	2300	25	0.71	0.42	10.67	42
TDB1232-L-48	48	28~60	4.4	0.09	1800	20	0.57	0.35	8.89	30

Related Technical Information

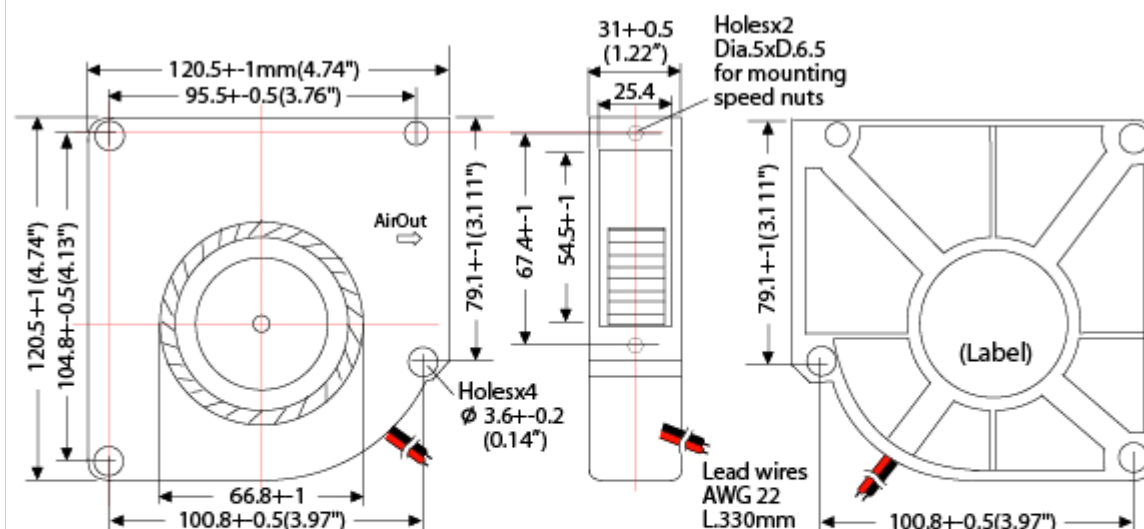
-Optional Function Leads:

- *Alarm, motor stop, cutoff sensor signals (L, run-Low, stop-High for alarm function, color yellow lead)
- *Tach speed sensor output, open collector, 2 square waves per revolution, or TTL 4.4~5 VDC optional (T, white lead)

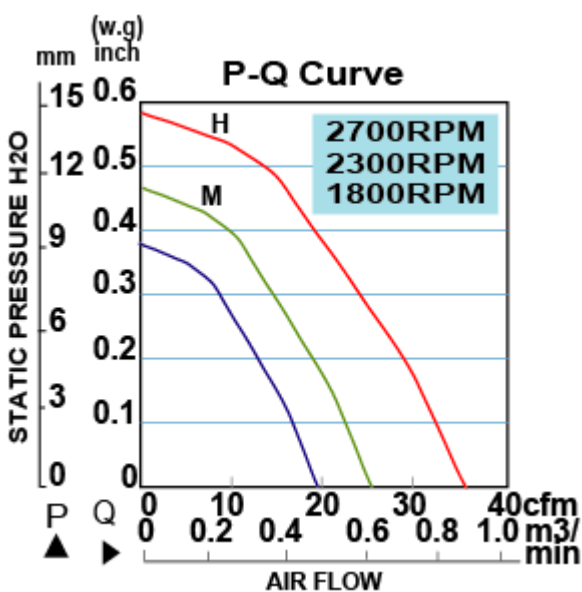
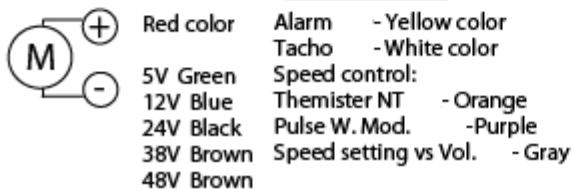
*Speed control:

- NTC thermistor thermal control 1800~3400RPM/4.7~10K ohm vs 45~20C(H,orange lead)
- Pulse Width Modulation, microprocessor programmable CPU speed control,10~100%, full stop & 10 speed stages; 800~3800RPM (P, purple lead)
- Control voltage speed setting, Analog 0~10V vs speed RPM
- speed control via separate DC low voltage interface (V, gray lead)

Fan Performance Curves and Dimension



Function Leads



* TEI reserves the right to change data and specs without notice* Tests are at nominal rated voltage against zero static pressure*Specifications subject to change without notice, data tolerance +-10%