



80x80x25 mm/3.15x1 inch, 48~22 CFM

TD8025 General specification



- Motor: Brushless DC, impedance protected, auto cutoff auto restart optional only
- Motor Protection:
- Frame: Glass fiber reinforced PBT thermoplastic, UL94V-0
- Impeller: Glass fiber reinforced PBT thermoplastic, UL94V-0 impeller
- Bearing: Double sealed high precision ball bearing
- Rotation: CCW looking at rotor, air inlet side of housing
- Operating Temp: Ball bearings -20C~+70C
- Storage Temp:
- Life Expectancy: Ball bearings 60,000 hours at 45C, 45,000 hours at 65C
- Dielectric Strength: 500 VAC/sec. Max leakage 500 micro amp
- Connection: Wire or Terminal
- Weight: 85 g (0.19 Lbs)

Model	Rated Voltage VDC	Voltage Range VDC	Input Power W	Rated Current A	Ref. Speed RPM	Max Airflow CFM	M3/Min	Max Pressure Inch/H2O	mm	Noise dB
TD8025-HH-5	5	4~6	1.4	0.28	3200	40	1.13	0.23	5.84	33
TD8025-H-5	5	4~7	1.4	0.28	2800	35	0.99	0.22	5.59	32
TD8025-M-5	5	4~7	1.0	0.20	2200	30	0.85	0.15	3.81	27
TD8025-L-5	5	4~7	0.8	0.15	1800	22	0.62	0.10	2.54	21
TD8025-HH-12	12	8~13.8	2.2	0.18	3800	48	1.36	0.26	6.60	35
TD8025-H-12	12	8~13.8	2.2	0.18	3300	40	1.13	0.23	5.84	33
TD8025-M-12	12	8~14	1.8	0.15	2700	32	0.91	0.16	4.06	28
TD8025-L-12	12	8~14	1.4	0.12	2000	22	0.62	0.10	2.54	21
TD8025-HH-24	24	12~27.6	2.9	0.12	3800	48	1.36	0.26	6.60	35
TD8025-H-24	24	12~27.6	2.9	0.12	3300	40	1.13	0.23	5.84	33
TD8025-M-24	24	12~27.6	2.4	0.08	2700	32	0.91	0.16	4.06	28
TD8025-L-24	24	12~28	2.0	0.08	2000	22	0.62	0.10	2.54	21
TD8025-HH-48	48	24~55	3.8	0.08	3800	48	1.36	0.26	6.60	35
TD8025-H-48	48	24~56	3.8	0.08	3300	40	1.13	0.23	5.84	33

Related Product Information

Please see our related items below for suggested products to use with this item:

- Metal Fan Guard: TWG-80
- Plastic Fan Guard: TPG-80
- Plastic Fan Filter: TFK-80-30, TFK-80-45
- Metal Fan Screen: TMS-80

Related Technical Information

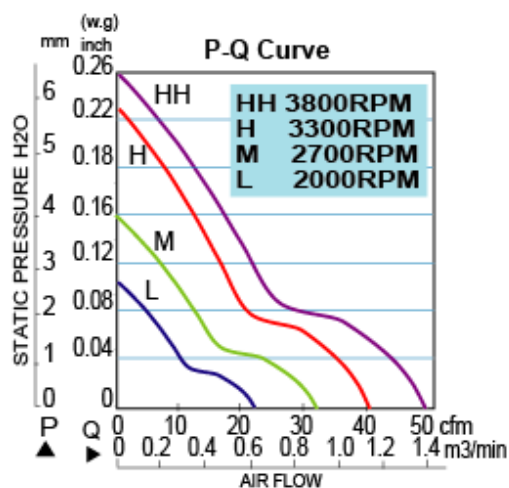
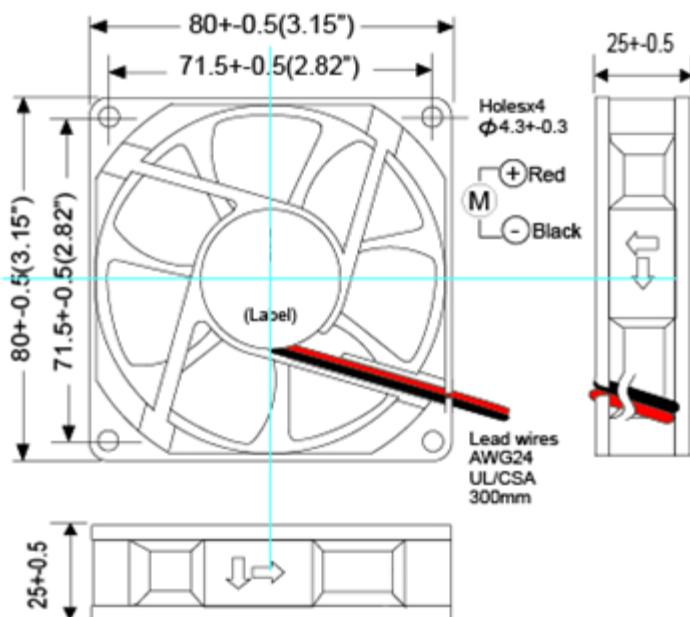
-Optional Function Leads:

- *Alarm, motor stop, cutoff sensor signals (L, run-Low, stop-High for alarm function, color yellow lead)
- *Tach speed sensor output, open collector, 2 square waves per revolution, or TTL 4.4~5 VDC optional (T, white lead)

*Speed control:

- H, NTC thermister thermal control 1800~3400RPM/4.7~10K ohm vs 45~20C(H,orange lead)
- P, Pulse Width Modulation, microprocessor programmable CPU speed control,10~100%, full stop & 10 speed stages; 800~3800RPM (P, purple lead)
- V, Control voltage speed setting, Analog 0~10V vs speed RPM speed control via separate DC low voltage interface (v, gray lead)

Fan Performance Curves and Dimension



* TEI reserves the right to change data and specs without notice* Tests are at nominal rated voltage against zero static pressure*Specifications subject to change without notice, data tolerance +-10%