



60x60x25 mm/2.4x1 inch, 38~12 CFM

TD6025 General specification



- Motor: Brushless DC, impedance protected, auto cutoff auto restart optional only
- Motor Protection:
- Frame: Glass fiber reinforced PBT thermoplastic, UL94V-0
- Impeller: Glass fiber reinforced PBT thermoplastic, UL94V-0 impeller
- Bearing: Double sealed high precision ball bearing
- Rotation: CCW looking at rotor, air inlet of housing
- Operating Temp: Ball bearings -20C~+70C
- Storage Temp:
- Life Expectancy: Ball bearings 60,000 hours at 45C, 45,000 hours at 65C
- Dielectric Strength: 500 VAC/sec. Max leakage 500 micro amp
- Connection: Wire or Terminal
- Weight: 65 g (0.14 Lbs)

Model	Rated Voltage VDC	Voltage Range VDC	Input Power W	Rated Current A	Ref. Speed RPM	Max Airflow CFM	M3/Min	Max Pressure Inch/H2O	mm	Noise dB
TD6025-HH-5	5	4~6	1.2	0.24 (-0.32)	3600	25	0.71	0.22	5.59	30
TD6025-H-5	5	4~7	1.2	0.24	3200	20	0.57	0.17	4.32	26
TD6025-M-5	5	4~7	0.9	0.17	2800	15	0.42	0.14	3.56	21
TD6025-L-5	5	4~7	0.6	0.12	2000	12	0.34	0.10	2.54	18
TD6025-HHH-12	12	8~13.8	1.8	0.15 (-0.29)	5500	38	1.08	0.26	6.60	38
TD6025-HH-12	12	8~13.8	1.8	0.15 (-0.21)	4400	32	0.91	0.24	6.10	32
TD6025-H-12	12	8~13.8	1.8	0.15	4000	25	0.71	0.22	5.59	30
TD6025-M-12	12	8~14	1.5	0.12	3200	17	0.48	0.16	4.06	25
TD6025-L-12	12	8~14	1	0.08	2500	14	0.40	0.14	3.56	20
TD6025-HHH-24	24	12~27.6	2.8	0.12 (-0.18)	5500	38	1.08	0.26	6.60	38
TD6025-HH-24	24	12~27.6	2.8	0.12 (-0.15)	4400	32	0.91	0.24	6.10	32
TD6025-H-24	24	12~27.6	2.8	0.12	4000	25	0.71	0.22	5.59	30
TD6025-M-24	24	12~27.6	2.2	0.09	3000	17	0.48	0.16	4.06	25
TD6025-L-24	24	12~28	1.5	0.06	2500	14	0.40	0.14	3.56	20
TD6025-HHH-48	48	24~53	3.4	0.07 (-0.11)	5500	37	1.05	0.26	6.60	38
TD6025-HH-48	48	24~55	3.4	0.07 (-0.1)	4400	32	0.91	0.24	6.10	32
TD6025-H-48	48	24~56	3.4	0.07	4200	28	0.79	0.23	5.84	30

Related Product Information

Please see our related items below for suggested products to use with this item:

- Metal Fan Guard: TWG-60
- Plastic Fan Guard: TPG-60
- Plastic Fan Filter: TFK-60-30, TFK-60-45
- Metal Fan Screen: TMS-60

Related Technical Information

-Optional Function Leads:

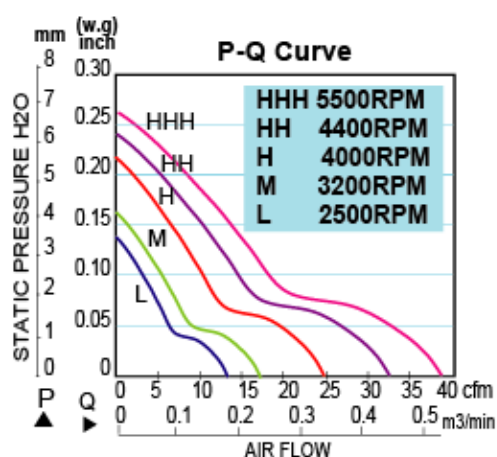
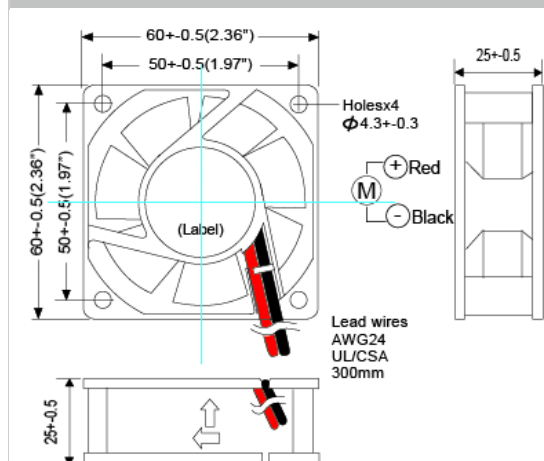
*Alarm, motor stop, cutoff sensor signals (L, run-Low, stop-High for alarm function, color yellow lead)

*Tach speed sensor output, open collector, 2 square waves per revolution, or TTL 4.4~5 VDC optional (T, white lead)

*Speed control:

- H, NTC thermistor thermal control 1800~3400RPM/4.7~10K ohm vs 45~20C(H,orange lead)
- P, Pulse Width Modulation, microprocessor programmable CPU speed control,10~100%, full stop & 10 speed stages; 800~3800RPM (P, purple lead)
- V, Control voltage speed setting, Analog 0~10V vs speed RPM speed control via separate DC low voltage interface (V, gray lead)

Fan Performance Curves and Dimension



* TEI reserves the right to change data and specs without notice* Tests are at nominal rated voltage against zero static pressure*Specifications subject to change without notice, data tolerance +-10%

