

40x40x7.5 mm/1.6x0.3 inch, 5.9~4.3 CFM

TD4007 General specification



- Motor: Brushless DC, impedance protected, auto cutoff auto restart optional only
- Motor Protection:
- Frame: Glass fiber reinforced PBT thermoplastic, UL94V-0
- Impeller: Glass fiber reinforced PBT thermoplastic, UL94V-0 impeller
- Bearing: Double sealed high precision ball bearing
- Rotation: CCW looking at rotor, air inlet side of housing
- Operating Temp: Ball bearings -20C~+65C
- Storage Temp:
- Life Expectancy: Ball bearings 50,000 hours at 45C, 40,000 hours at 60C
- Dielectric Strength: 500 VAC/sec. Max leakage 500 micro amp
- Connection: Wire or Terminal
- Weight: 7.5 g (0.017 Lbs)

| Model | Rated Voltage | Voltage Range | Input Power | Rated Current | Ref. Speed | Max Airflow | Max Pressure | | | Noise |
|-------------|---------------|---------------|-------------|---------------|------------|-------------|--------------|----------|------|-------|
| | VDC | VDC | W | A | RPM | CFM | M3/Min | Inch/H2O | mm | dB |
| TD4007-H-5 | 5 | 4~6 | 0.5 | 0.1 | 7500 | 5.9 | 0.17 | 0.12 | 3.05 | 34 |
| TD4007-M-5 | 5 | 4~6 | 0.36 | 0.07 | 6500 | 5.0 | 0.14 | 0.091 | 2.31 | 30 |
| TD4007-L-5 | 5 | 4~7 | 0.3 | 0.06 | 5000 | 4.3 | 0.11 | 0.075 | 1.91 | 25 |
| TD4007-H-12 | 12 | 7~13.8 | 0.72 | 0.07 | 7500 | 5.9 | 0.17 | 0.12 | 3.05 | 34 |
| TD4007-M-12 | 12 | 7~13.8 | 0.6 | 0.05 | 6500 | 5.0 | 0.14 | 0.091 | 2.31 | 30 |
| TD4007-L-12 | 12 | 7~14 | 0.5 | 0.04 | 5000 | 4.3 | 0.11 | 0.075 | 1.91 | 25 |
| TD4007-H-24 | 24 | 12~27.6 | 1.44 | 0.06 | 7500 | 5.9 | 0.17 | 0.12 | 3.05 | 34 |
| TD4007-M-24 | 24 | 12~27.6 | 1.2 | 0.05 | 6500 | 5.0 | 0.14 | 0.091 | 2.31 | 30 |
| TD4007-L-24 | 24 | 12~27.6 | 0.72 | 0.03 | 5000 | 4.3 | 0.11 | 0.075 | 1.91 | 25 |

Related Product Information

Please see our related items below for suggested products to use with this item:

- Metal Fan Guard: TWG-40
- Plastic Fan Guard: TPG-40
- Plastic Fan Filter: TFK-40-30, TFK-40-45

Related Technical Information

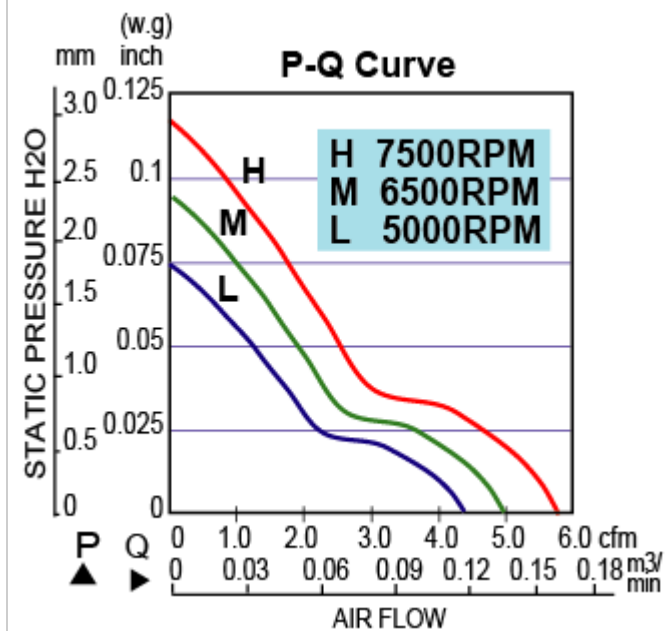
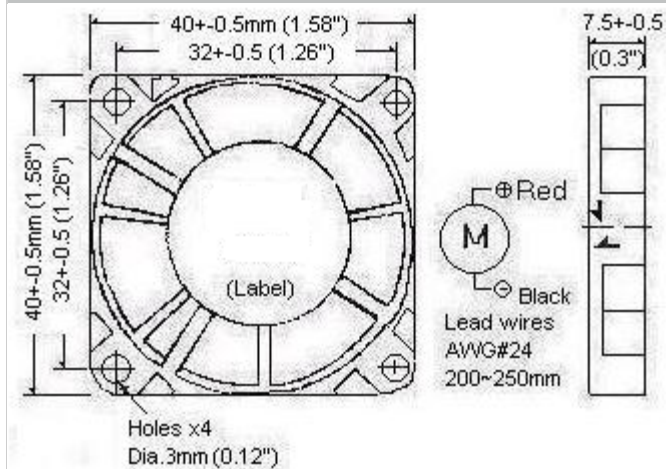
-Optional Function Leads:

- *Alarm, motor stop, cutoff sensor signals (L, run-Low, stop-High for alarm function, color yellow lead)
- *Tach speed sensor output, open collector, 2 square waves per revolution, or TTL 4.4~5 VDC optional (T, white lead)

*Speed control:

- H, NTC thermistor thermal control 1800~3400RPM/4.7~10K ohm vs 45~20C(H,orange lead)
- P, Pulse Width Modulation, microprocessor programmable CPU speed control, 10~100%, full stop & 10 speed stages; 800~3800RPM (P, purple lead)
- P, Control voltage speed setting, Analog 0~10V vs speed RPM speed control via separate DC low voltage interface (P, gray lead)

Fan Performance Curves and Dimension



* TEI reserves the right to change data and specs without notice* Tests are at nominal rated voltage against zero static pressure*Specifications subject to change without notice, data tolerance +-10%