



Dia.84x37mm/3.3inch , 33~14CFM

TAK8437

General specification



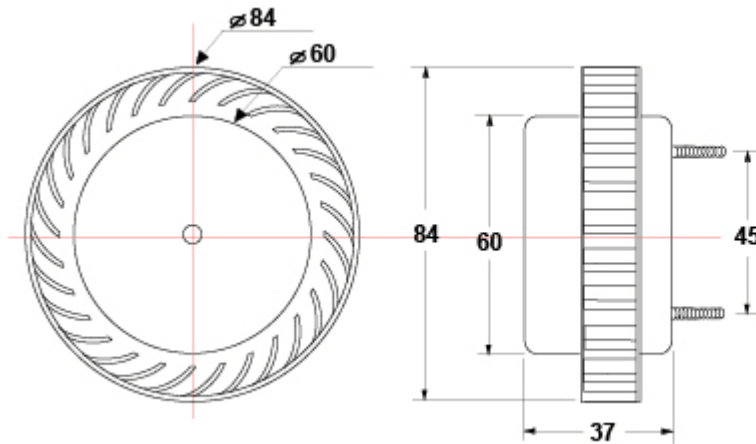
- Motor: Shaded pole, inner rotor, impedance protected motor
- Motor Case: Natural aluminum color sanded & milled cosmetics
- Impeller: Glass fiber reinforced PBT thermoplastic impeller, UL94V-0
- Rotation: CW looking at rotor, air inlet side of housing
- Bearing System: Two precision double sealed ball bearings
- Operating Temp: Ball bearing ambient -20C ~80C
- L10 Life: Ball bearing 60,000 hours at 60C
- Dielectric Strength: Over 1 min. at 1,500 VAC, 50/60 Hz
- Connection: Wire leads connecting AWG22, 300~350mm, stripped ends 3~5mm
- Net Weight: 320Gm (0.71 Lb)
- UL File # E195890



Model	Rated Voltage	Voltage Range	Freq.	Input Power	Rated Current	Referenced Speed	Max Airflow	Max Pressure	Noise
	VAC	VAC	Hz	W	A	RPM	CFM	Inch/H2O	dB
TAK8437-H-110	115	70~120	50/60	20/18	-	2550/2800	29/33	0.42/0.50	48
TAK8437-M-110	115	70~120	50/60	14/12	-	2300/2150	25/23	0.35/0.33	39
TAK8437-L-110	115	70~120	50/60	11/9	-	1500/1650	11/13	0.18/0.19	28
TAK8437-H-220	230	120~240	50/60	20/18	-	2550/2800	29/33	0.42/0.50	47
TAK8437-M-220	230	130~240	50/60	14/12	-	2300/2150	25/23	0.35/0.33	39
TAK8437-L-220	230	140~240	50/60	11/9	-	1500/1650	11/13	0.18/0.19	28
TAK8437-H-110/220 dual voltage	115 230	70~240	50/60	20/18	-	2550/2800	29/33	0.42/0.50	48

Fan Performance Curve and Dimension

Dia.84x37mm/3.3inch



Mounting Screw x 2  
M3.5 x 0.6P  
L=11.5+-1mm

\* Screw Length can be to meet customer requirement.

\* TEI reserves the right to change data and specs without notice\* Tests are at nominal voltage against zero static pressure\* Specification subject to change without notice, data tolerance +-10%