

Dia.85x42mm/3.5inch , 52~26CFM

TAK8542

General specification



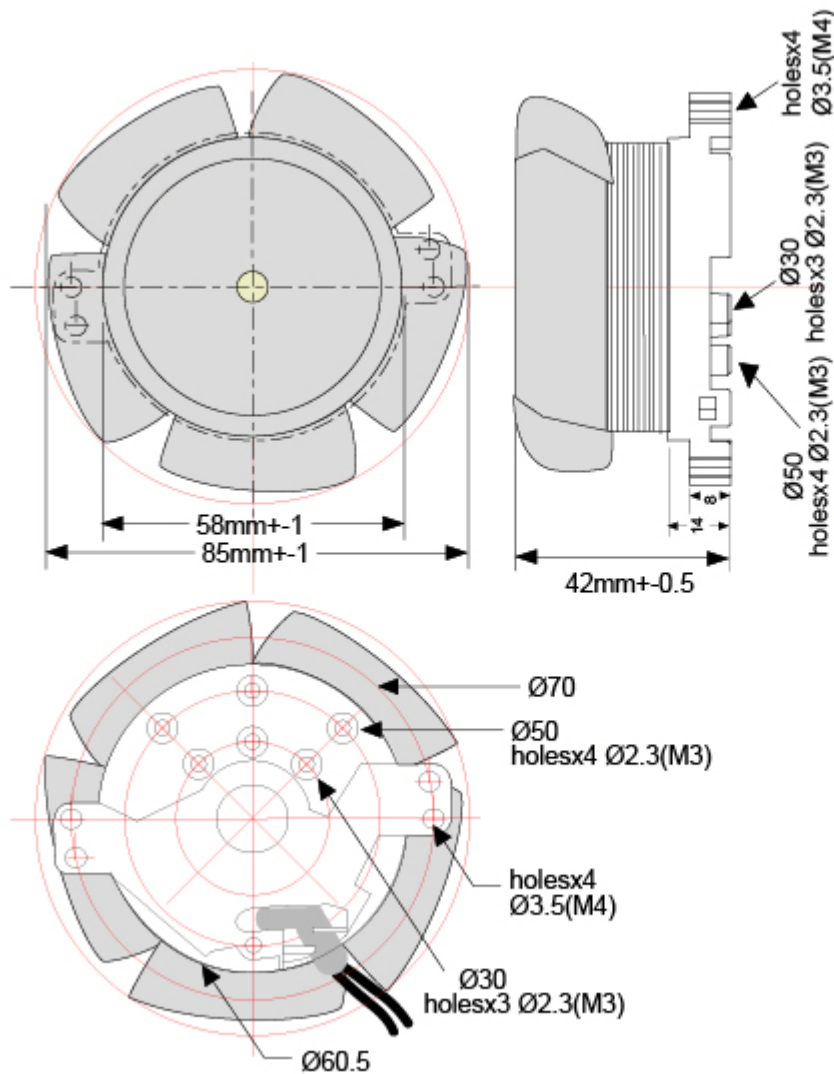
- Motor: Shaded pole, inner rotor, single phase impedance protected motor
- Motor Case: Aluminum diecasting , 7 mounting holes dia.2.3mm or tapped M3
- Impeller: Glass fiber reinforced PBT thermoplastic impeller, UL94V-0
- Rotation: CCW looking at rotor, air inlet side of housing
- Bearing System: Two precision double sealed ball bearings
- Operating Temp: Ball bearing ambient -20C~70C
- L10 Life: MTBF Formula L10 indoor life test 150K hours at 35C, 45K hours at 60C
- Dielectric Strength: Over 1 min. at 1,500VAC, 0.5mA, 50/60 Hz
- Connection: Wire leads connecting AWG22, 300~400mm, stripped ends 3~5mm
- Net Weight: -



Model	Rated Voltage	Voltage Range	Freq.	Input Power	Rated Current	Referenced Speed	Max Airflow	Max Pressure	Noise
	VAC	VAC	Hz	W	A	RPM	CFM	Inch/H2O	dB
TAK8542-H-110	115	80~120	50/60	11/9	0.14/0.12	2650/3100	43/52	0.16/0.22	33
TAK8542-M-110	115	80~120	50/60	7/5	-	2300/2500	35/39	0.13/0.16	27
TAK8542-L-110	115	80~120	50/60	4/3	-	1900/1800	28/26	0.11/0.10	23
TAK8542-H-220	230	150~240	50/60	11/9	-	2650/3100	43/52	0.16/0.22	33
TAK8542-M-220	230	150~240	50/60	7/5	-	2300/2500	35/39	0.13/0.16	27
TAK8542-L-220	230	80~120	50/60	4/3	-	1900/1800	28/26	0.11/0.10	23

Fan Performance Curve and Dimension

Dia.85x42mm/3.5inch



* TEI reserves the right to change data and specs without notice* Tests are at nominal voltage against zero static pressure* Specification subject to change without notice, data tolerance +-10%