



Dia.75x35mm/3inch , 33~ 18CFM

**TAK838M General specification**



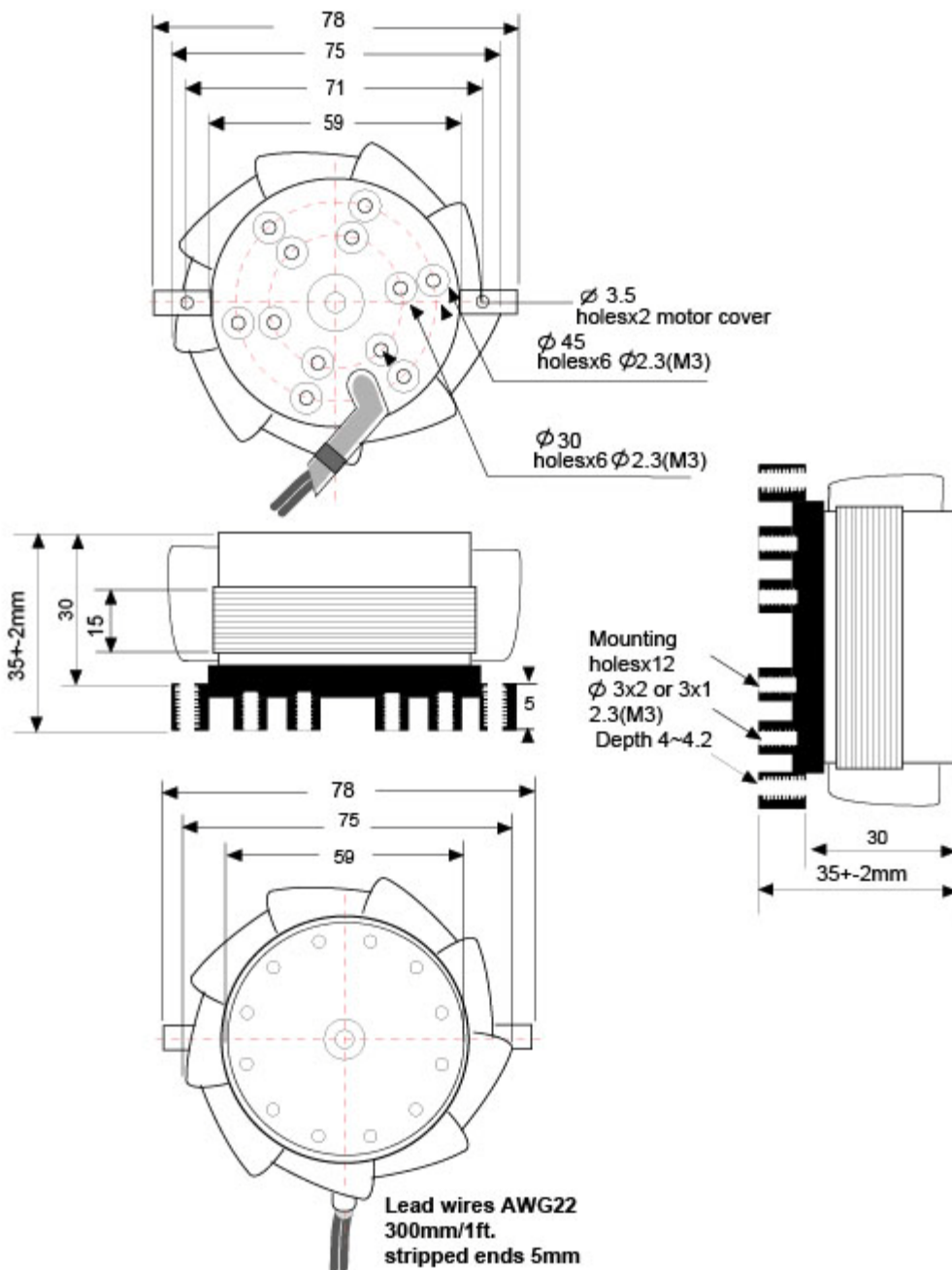
- Motor: External rotor, shaded pole, single phase, impedance protection
- Motor Case: Aluminum die cast, natural color treatment Optional: Black cosmetics
- Impeller: Steel metal fan blades spot welded into rotor for high efficiency
- Rotation: CCW looking at rotor, air exhaust over motor struts
- Bearing System: Two high precision permanently lubricated ball bearings
- Operating Temp: Ambient non-condensing acceptable range -30C~+80C
- L10 Life: MTBF Formula L10 indoor life test 150K hours at 35C, 45K hours at 60C
- Dielectric Strength: Over 1 minute at 1,500 VAC, 0.5mA, 50/60 Hz
- Connection: Wire leads connecting AWG18, 300~350mm, stripped ends 3~5mm
- Net Weight: -



Model	Rated Voltage VAC	Voltage Range VAC	Freq. Hz	Input Power W	Rated Current A	Referenced Speed RPM	Max Airflow CFM	Max Pressure Inch/H2O	Noise dB
TAK838M-H110	115	80~120	50/60	15/13	-	2750/3200	28/33	0.15/0.20	35
TAK838M-M-110	115	80~120	50/60	12/10	-	2200/2500	23/26	0.12/0.14	30
TAK838M-L-110	115	80~120	50/60	8/6	-	1700/1900	18/21	0.07/0.08	23
TAK838M22-H-220	230	150~240	50/60	15/13	-	2750/3200	28/33	0.15/0.20	35
TAK838M-M-220	230	150~240	50/60	12/10	-	2200/2500	23/26	0.12/0.14	30
TAK838M22-L-220	230	150~240	50/60	8/6	-	1700/1900	18/21	0.07/0.08	23
TAK838M-H-110/220 dual voltage	115 230	80~120 150~240	50/60	15/13	-	2750/3200	28/33	0.15/0.20	35
TAK838M-H-12	12	10~14	50/60	15/13	-	2750/3200	28/33	0.15/0.20	35
TAK838M-H-24	24	20~26	50/60	15/13	-	2750/3200	28/33	0.15/0.20	35
TAK838M-H-28	28	24~32	50/60	15/13	-	2750/3200	28/33	0.15/0.20	35
TAK838M8-H-48	48	40~52	50/60	15/13	-	2750/3200	28/33	0.15/0.20	35
TAK838M-H-380	380	200~420	50/60	15/13	-	2750/3200	28/33	0.15/0.20	35
TAK838M-H-440	440	240~480	50/60	15/13	-	2750/3200	28/33	0.15/0.20	35

**Fan Performance Curve and Dimension**

Dia.75x35mm/3inch



\* TEI reserves the right to change data and specs without notice  
 \* Tests are at nominal voltage against zero static pressure  
 \* Specification subject to change without notice, data tolerance +-10%