



Dia.75x45mm/3inch , 31 ~ 17CFM

TAK7545

General specification



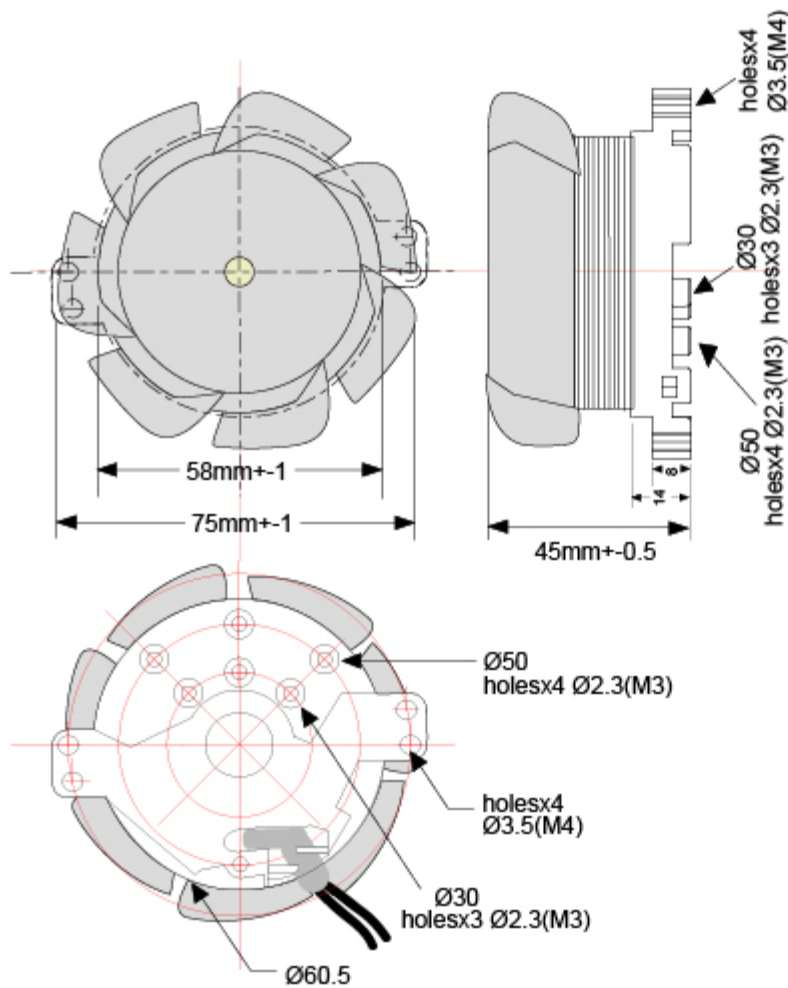
- Motor: Shaded pole, inner rotor, single phase impedance protected motor
- Motor Case: Aluminum diecasting , 7 mounting holes dia.2.3mm or tapped M3
- Impeller: Glass fiber reinforced PBT thermoplastic impeller, UL94V-0
- Rotation: CCW looking at rotor, air inlet of housing
- Bearing System: Two precision double sealed ball bearings
- Operating Temp: Ball bearing ambient -20C~70C
- L10 Life: MTBF Formula L10 indoor life test 150K hours at 35C, 45K hours at 60C
- Dielectric Strength: Over 1 min. at 1,500 VAC, 50/60 Hz
- Connection: Wire leads connecting AWG22, 300~400mm, stripped ends 3~5mm
- Net Weight: -



Model	Rated Voltage	Voltage Range	Freq.	Input Power	Rated Current	Referenced Speed	Max Airflow	Max Pressure	Noise
	VAC	VAC	Hz	W	A	RPM	CFM	Inch/H2O	dB
TAK7545-H-110	115	70~130	50/60	14/12	-	2700/3250	26/31	0.16/0.22	29
TAK7545-M-110	115	70~130	50/60	11/9	-	2300/2550	22/24	0.13/0.17	22
TAK7545-L-110	115	70~130	50/60	7/5	-	1800/1700	18/17	0.12/0.10	18
TAK7545-H-220	230	150~240	50/60	14/12	-	2700/3250	26/31	0.16/0.22	29
TAK7545-M-220	230	150~240	50/60	11/9	-	2300/2550	22/24	0.13/0.17	22
TAK7545-L-220	230	150~240	50/60	7/5	-	1800/1700	18/17	0.12/0.10	18

Fan Performance Curve and Dimension

Dia.75x45mm/3inch



* TEI reserves the right to change data and specs without notice* Tests are at nominal voltage against zero static pressure* Specification subject to change without notice, data tolerance +-10%