



Dia.75x24mm/3inch , 25~ 13CFM

TAK7525

General specification



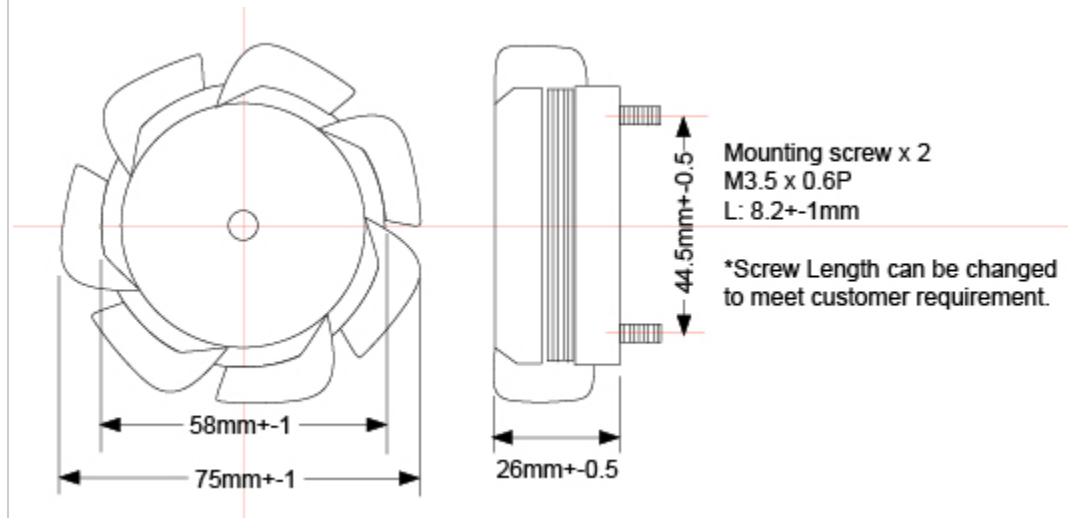
- Motor: Shaded pole, inner rotor, single phase impedance protected motor
- Motor Case: Aluminum die-cast, black color cosmetics.
- Impeller: Glass fiber reinforced PBT thermoplastic impeller, UL94V-0
- Rotation: CCW looking at rotor, air inlet side of housing
- Bearing System: Two precision double sealed ball bearings
- Operating Temp: Ball bearing ambient -20C~70C
- L10 Life: MTBF Formula L10 indoor life test 150K hours at 35C, 45K hours at 60C
- Dielectric Strength: Over 1 min. at 1,500VAC, 0.5mA, 50/60 Hz
- Connection: Wire leads connecting AWG22, 300~400mm, stripped ends 3~5mm
- Net Weight: 220Gm (0.49Lb)



Model	Rated Voltage	Voltage Range	Freq.	Input Power	Rated Current	Referenced Speed	Max Airflow	Max Pressure	Noise
	VAC	VAC	Hz	W	A	RPM	CFM	Inch/H2O	dB
TAK7525-H-110	115	70~120	50/60	11/9	-	2500/3000	22/25	0.18/0.21	28
TAK7525-M-110	115	70~120	50/60	8/6	-	2100/2300	18/20	0.14/0.15	24
TAK7525-L-110	115	70~120	50/60	6/4	-	1800/1900	15/16	0.11/0.12	19
TAK7525-H-220	230	150~260	50/60	11/9	-	2500/3000	22/25	0.18/0.21	28
TAK7525-M-220	230	150~260	50/60	8/6	-	2100/2300	18/20	0.14/0.15	24
TAK7525-L-220	230	150~260	50/60	6/4	-	1800/1900	15/16	0.11/0.12	19

Fan Performance Curve and Dimension

Dia.75x24mm/3inch



\* TEI reserves the right to change data and specs without notice\* Tests are at nominal voltage against zero static pressure\* Specification subject to change without notice, data tolerance +-10%