



Dia.143x50mm/6inch , 210~115CFM

TAK14350

General specification



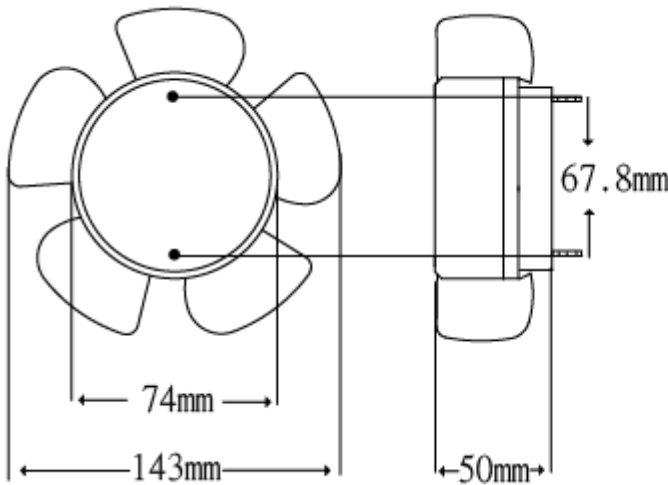
- Motor: Shaded pole, inner rotor, single phase impedance protected motor
- Motor Case: Aluminum die-cast, black color cosmetics
- Impeller: Glass fiber reinforced PBT thermoplastic impeller, UL94V-0
- Rotation: CCW looking at air intake rotor, air exhaust over struts
- Bearing System: Two precision double sealed ball bearings
- Operating Temp: Ball bearing ambient -30C~70C
- L10 Life: Ball bearing 50,000 hours a35C, 40,000 hours at 65C
- Dielectric Strength: Over 1 min.at 1,500 VAC, 50/60 Hz
- Connection: Wire leads connecting AWG18, 300~350mm, stripped ends 3~5mm
- Net Weight: 910Gm(2.0Lb)



Model	Rated Voltage	Voltage Range	Freq.	Input Power	Rated Current	Referenced Speed	Max Airflow	Max Pressure	Noise
	VAC	VAC	Hz	W	A	RPM	CFM	Inch/H2O	dB
TAK14350-H-110	115	60~130	50/60	30/26	0.54/0.53	2500/2800	183/210	0.47/0.43	47
TAK14350-M-110	115	60~130	50/60	24/20	-	2250/2400	165/180	0.40/0.36	40
TAK14350-L-110	115	60~130	50/60	18/16	-	1600/1550	120/115	0.31/0.26	31
TAK14350-H-220	230	120~260	50/60	30/26	0.27/0.26	2500/2800	183/210	0.47/0.43	47
TAK14350-M-220	230	120~260	50/60	24/20	--	2250/2400	165/180	0.40/0.36	40
TAK14350-L-220	230	120~260	50/60	18/16	-	1600/1550	120/115	0.31/0.26	31

Fan Performance Curve and Dimension

Dia.143x50mm/6inch



Mounting screw x 2  
M3.5 x 0.6P  
L: 8.2+-1mm

\*Screw Length can be changed to meet customer requirement.

\* TEI reserves the right to change data and specs without notice

\* Tests are at nominal voltage against zero static pressure

\* Specification subject to change without notice, data tolerance +-10%