



Dia.140x44mm/6inch , 195~100CFM

TAK14044

General specification



- Motor: External rotor, shaded pole, single phase, thermal or impedance protection
- Motor Case: Aluminum die cast, natural color treatment Optional: Black cosmetics
- Impeller: Steel metal fan blades spot welded into rotor for high efficiency
- Rotation: CCW looking at rotor, air exhaust over motor struts
- Bearing System: Two high precision permanently lubricated ball bearings
- Operating Temp: Ambient non-condensing acceptable range -30C~+80C
- L10 Life: MTBF Formula L10 indoor life test 150K hours at 35C, 45K hours at 60C
- Dielectric Strength: Over 1 minute at 1,500 VAC, 0.5mA, 50/60 Hz
- Connection: Wire leads connecting AWG18, 300~350mm, stripped ends 3~5mm
- Net Weight: 485Gm (1.06Lb)

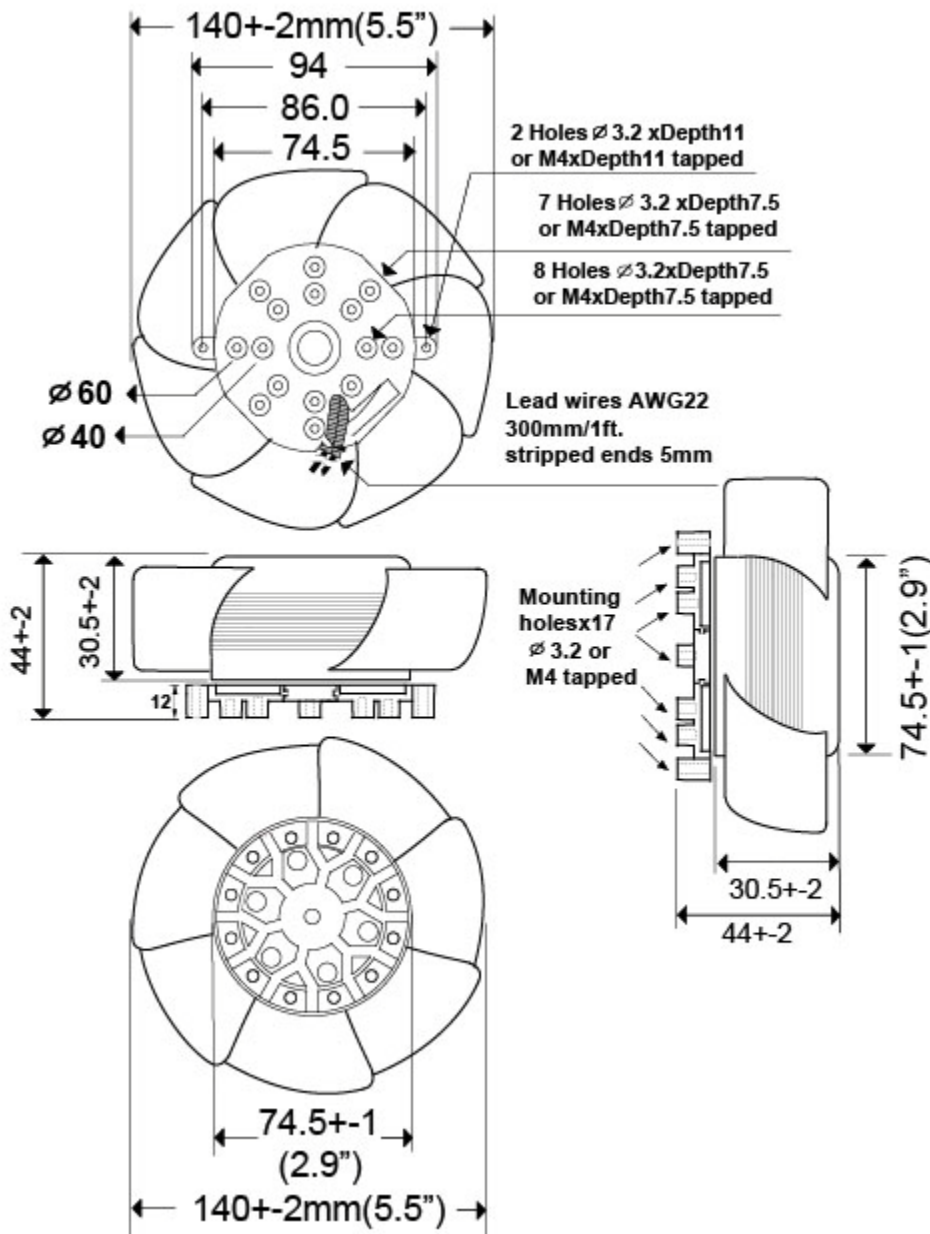


Pending

Model	Rated Voltage	Voltage Range	Freq.	Input Power	Rated Current	Referenced Speed	Max Airflow	Max Pressure	Noise
	VAC	VAC	Hz	W	A	RPM	CFM	Inch/H2O	dB
TAK14044M-H-100	100	90~110	50/60	40/32	-	2650/3100	175/195	0.48/0.55	53
TAK14044M-H-110	115	100~120	50/60	40/32	-	2650/3100	175/195	0.48/0.55	53
TAK14044M-M-110	115	100~120	50/60	32/28	-	2400/2550	158/165	0.41/0.45	45
TAK14044M-L-110	115	100~120	50/60	24/22	-	1600/1700	100/110	0.29/0.31	33
TAK14044M-H-200	200	190~210	50/60	40/32	-	2650/3100	175/195	0.48/0.55	53
TAK14044M-H-220	230	200~240	50/60	40/32	-	2650/3100	175/195	0.48/0.55	53
TAK14044M22-M-220	230	200~240	50/60	32/28	-	2650/3100	175/195	0.48/0.55	45
TAK14044M-L-220	230	200~240	50/60	24/22	-	1600/1700	100/110	0.29/0.31	33
TAK14044M-H-110/220 dual voltage	115 230	100~120 200~240	50/60	40/32	-	2650/3100	175/195	0.48/0.55	53
TAK14044M-H-12	12	12~14	50/60	40/32	-	2650/3100	175/195	0.48/0.55	53
TAK14044M-H-24	24	24~26	50/60	40/32	-	2650/3100	175/195	0.48/0.55	53
TAK14044M-H-28	28	28~32	50/60	40/32	-	2650/3100	175/195	0.48/0.55	53
TAK14044M-H-48	48	48~52	50/60	40/32	-	2650/3100	175/195	0.48/0.55	53
TAK14044M-H-380	380	380~420	50/60	40/32	-	2650/3100	175/195	0.48/0.55	53
TAK14044M-H-440	440	440~480	50/60	40/32	-	2650/3100	175/195	0.48/0.55	53

Fan Performance Curve and Dimension

Dia.140x44mm/6inch



* TEI reserves the right to change data and specs without notice* Tests are at nominal voltage against zero static pressure* Specification subject to change without notice, data tolerance +-10%