



Dia.113x35mm/4.5inch , 105~60CFM

TAK1238M

General specification



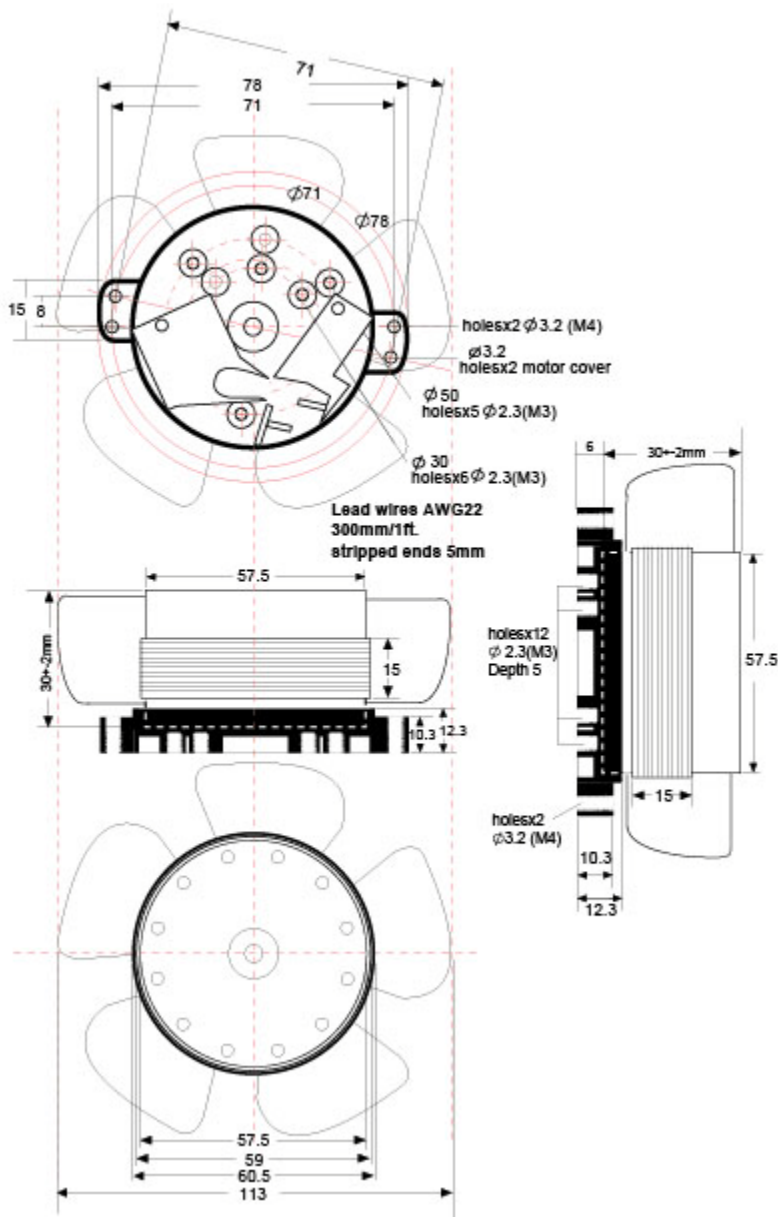
- Motor: External rotor, shaded pole, single phase, impedance protection
- Motor Case: Aluminum die cast, natural color treatment Optional: Black cosmetics
- Impeller: Steel metal fan blades integrantly spot welded into rotor for high efficiency
- Rotation: CCW looking at rotor, air exhaust over motor frame
- Bearing System: Two high precision permanently lubricated ball bearings
- Operating Temp: Ambient non-condensing acceptable range -30C~+80C
- L10 Life: MTBF Formula L10 indoor life test 150K hours at 35C, 45K hours at 60C
- Dielectric Strength: Over 1 minute at 1,500 VAC, 0.5mA, 50/60 Hz
- Connection: Wire leads connecting AWG18, 300~350mm, stripped ends 3~5mm
- Net Weight: -



Model	Rated Voltage	Voltage Range	Freq.	Input Power	Rated Current	Referenced Speed	Max Airflow	Max Pressure	Noise
	VAC	VAC	Hz	W	A	RPM	CFM	Inch/H2O	dB
TAK1238M-H-100	100	70~110	50/60	21/20	-	2750/3100	93/105	0.25/0.22	45
TAK1238M-H-110	115	80~120	50/60	21/20	-	2750/3100	93/105	0.25/0.22	45
TAK1238M-M-110	115	80~120	50/60	14/13	-	2400/2500	82/85	0.17/0.12	37
TAK1238M-L-110	115	80~120	50/60	12/9	-	1700/1800	58/60	0.11/0.09	27
TAK1238M-H/M-110 dual speed	115	80~120	50/60	-1 21/20 -2 14/13	-	2600/3100 2300/2200	90/105 78/76	0.24/0.22 0.16/0.11	45 36
TAK1238M-H/M/L-110 triple speed	115	80~120	50/60	-1 21/20 -2 14/13 -3 12/9	-	2600/3100 2400/2500 2200/2100	90/105 82/85 75/72	0.25/0.22 0.17/0.12 0.15/0.10	45 37 33
TAK1238M-H-200	200	180~210	50/60	21/20	-	2750/3100	93/105	0.25/0.22	45
TAK1238M-M-220	230	150~240	50/60	14/13	-	2400/2500	82/85	0.17/0.12	37
TAK1238M-L-220	230	150~240	50/60	12/9	-	1700/1800	58/60	0.11/0.09	27
TAK1238M-H-240	240	150~240	50/60	21/20	-	2750/3100	93/105	0.25/0.22	45
TAK1238M-H/M-110 dual speed	115	150~120	50/60	1 21/20 -2 14/13	-	2600/3100 2300/2200	90/105 78/76	0.24/0.22 0.16/0.11	45 36
TAK1238M-H-H/M/L-110 triple speed	230	150~240	50/60	-1 21/20 -2 14/13 -3 12/9	-	2600/3100 2400/2500 2200/2100	90/105 82/85 75/72	0.25/0.22 0.17/0.12 0.15/0.10	45 37 33
TAK1238M-H-110/220 dual voltage	115 230	80~120 150~240	50/60	21/20	-	2750/3100	93/105	0.25/0.22	45
TAK1238M-H-12	12	10~14	50/60	21/20	-	2750/3100	93/105	0.25/0.22	45
TAK1238M-H-24	24	20~26	50/60	21/20	-	2750/3100	93/105	0.25/0.22	45
TAK1238M-H-28	28	24~32	50/60	21/20	-	2750/3100	93/105	0.25/0.22	45
TAK1238M-H-48	48	40~52	50/60	21/20	-	2750/3100	93/105	0.25/0.22	45
TAK1238M-H-380	380	200~420	50/60	21/20	-	2750/3100	93/105	0.25/0.22	45
TAK1238M-H-440	440	240~480	50/60	21/20	-	2750/3100	93/105	0.25/0.22	45

Fan Performance Curve and Dimension

Dia.113x35mm/4.5inch



* TEI reserves the right to change data and specs without notice* Tests are at nominal voltage against zero static pressure* Specification subject to change without notice, data tolerance +-10%