



Dia.113x40.5mm/4.5inch , 110~50CFM

TAK11340 **General specification**



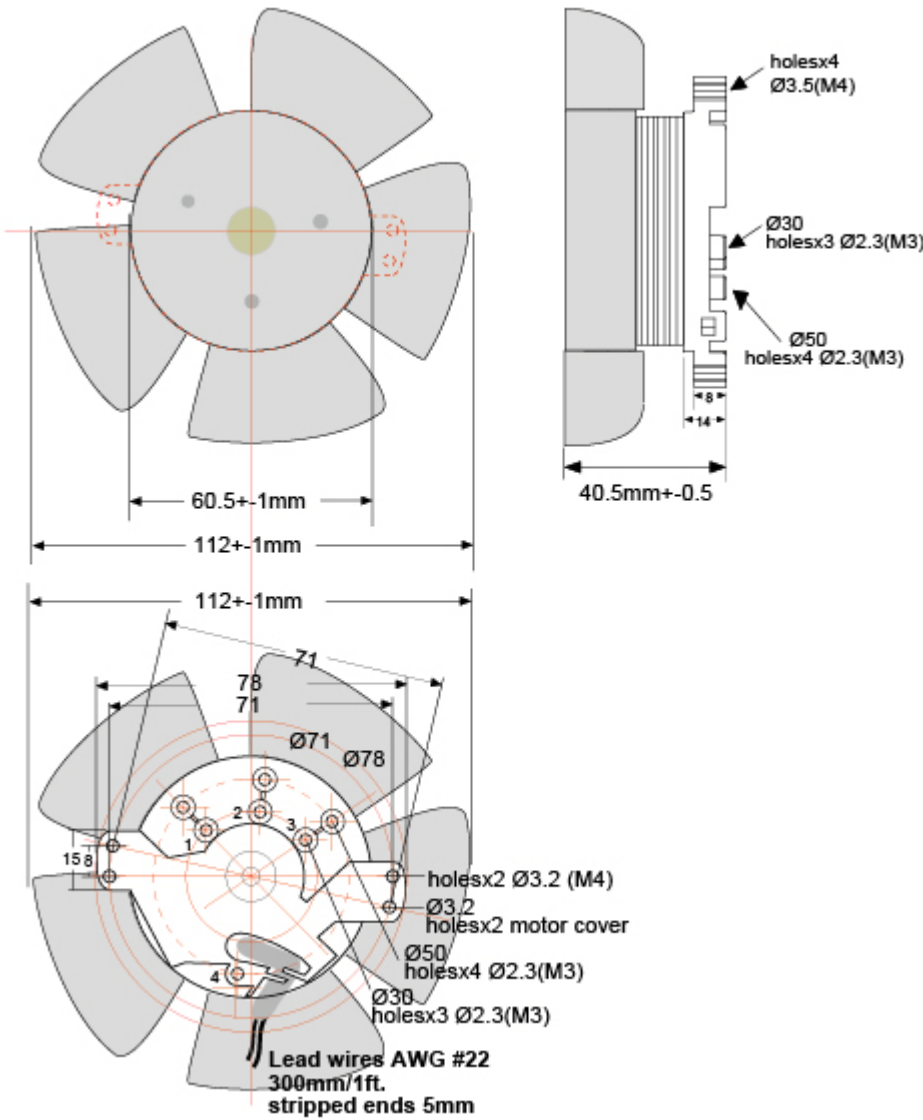
- Motor: Shaded pole, inner rotor, single phase, impedance protected motor
- Motor Case: Aluminum diecasting , 7 mounting holes dia.2.3mm or tapped M3
- Impeller: Glass fiber reinforced PBT thermoplastic impeller, UL94V-0
- Rotation: CCW looking at rotor, air inlet side of housing
- Bearing System: Two precision double sealed ball bearings
- Operating Temp: Ball bearing ambient -20C~70C
- L10 Life: MTBF Formula L10 indoor life test 150K hours at 35C, 45K hours at 60C
- Dielectric Strength: Over 1 minute at 1,500 VAC, 0.5mA, 50/60 Hz
- Connection: Wire leads connecting AWG22, 300~350mm, stripped ends 3~5mm
- Net Weight: 395g (0.87Lbs)



Model	Rated Voltage	Voltage Range	Freq.	Input Power	Rated Current	Referenced Speed	Max Airflow	Max Pressure	Noise
	VAC	VAC	Hz	W	A	RPM	CFM	Inch/H2O	dB
TAK11340-H-110	115	80~130	50/60	17/15	0.29/0.23	2700/3100	93/110	0.29/0.32	43
TAK11340-M-110	115	80~130	50/60	13/11	0.22/0.18	2500/2300	83/72	0.22/0.19	37
TAK11340-L-110	115	80~130	50/60	10/8	0.16/0.15	1950/1300	68/50	0.18/0.14	29
TAK11340-H-220	230	150~240	50/60	17/15	0.14/0.11	2700/3100	93/110	0.29/0.32	43
TAK11340-M-220	230	150~240	50/60	13/11	0.11/0.09	2500/2300	83/72	0.22/0.19	37
TAK11340-L-220	230	150~240	50/60	10/8	0.054/0.047	1950/1300	68/50	0.18/0.14	29
TAK11340-H-24	24	16~26	50/60	17/15	1.03/0.9	2700/3100	93/110	0.29/0.32	43
TAK11340-H-380	380	200~420	50/60	17/15	-	2700/3100	93/110	0.29/0.32	43
TAK11340-H-440	440	240~480	50/60	17/15	-	2700/3100	93/110	0.29/0.32	43
TAK11340-H-110/220 dual voltage	115 230	80~130 150~240	50/60	17/15	-	2700/3100	93/110	0.29/0.32	43

Fan Performance Curve and Dimension

Dia.113x40.5mm/4.5inch



* TEI reserves the right to change data and specs without notice* Tests are at nominal voltage against zero static pressure* Specification subject to change without notice, data tolerance +-10%