



Dia.50x190x234x70mm , 73~40CFM

TACF519 General specifications



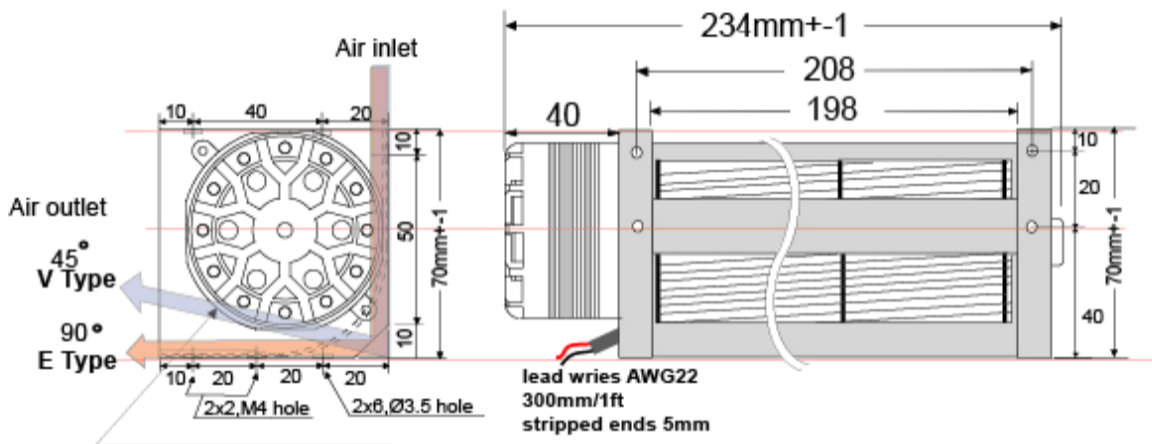
- Motor: External rotor, shaded pole, single phase, 2 pole, impedance protection
- Frame: Steel Plate housing & frame with black color cosmetics
- Impeller: Aluminum alloy fan blade with natural treatment cosmetics, dia.50mm
- Rotation: CCW or CW viewed from side of motor shaft outlet for choice of R or L type
- Bearing System: Permanently lubricated ball bearings for motor and impeller bracket
- Operating Temp: Acceptable -25C~+65C. Storage -30C~+90C (65%RH)
- L10 Life: 40,000 hrs at 45C, 25,000 hrs at 65C. MTBF over 100,000 hrs at 45C
- Dielectric Strength: Over 1 min. at 1,500VAC, 0.5mA, 50/60Hz
- Insulation Resistance: Over 100 Mega Ohm at DC 500V, between leads and frame
- Connection: Wire leads connecting AWG22, 300~350mm, stripped ends 3~5mm
- Net Weight: 730Gm (1.6 Lbs)



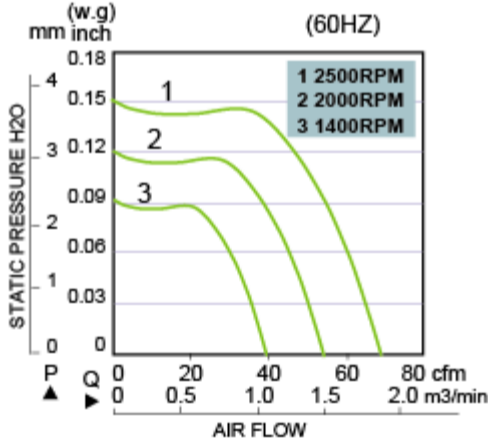
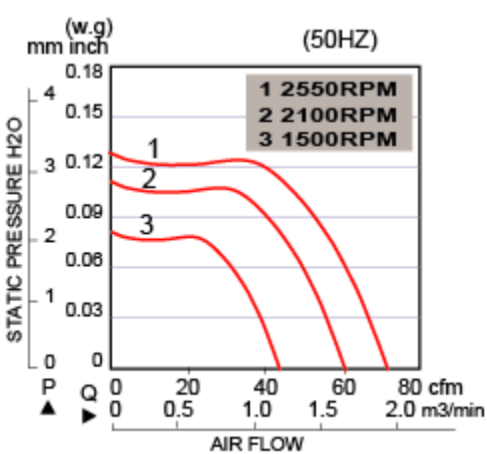
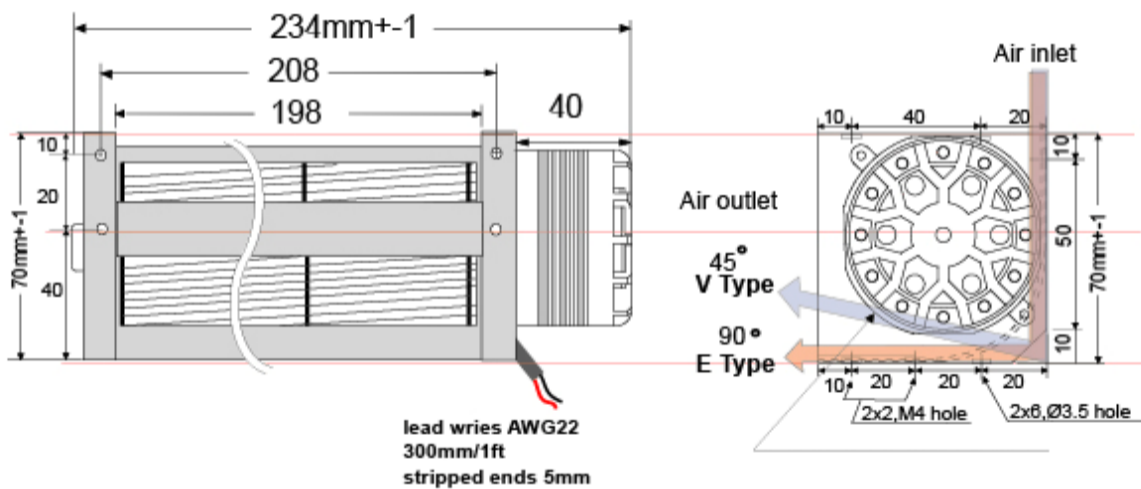
Pending

Model No.	Rated Voltage VAC	Voltage Range VAC	Freq. Hz	Input Power W	Rated Current A	Referenced Speed RPM	Max. Airflow CFM	Max. Static Pressure Inch/H2O	Noise dB
TACF519-H-110	115	80~120	50/60	21/20	-	2550/2500	73/70	0.13/0.15	43
TACF519-M-110	115	80~120	50/60	18/16	-	2100/2000	60/55	0.11/0.12	37
TACF519-L-110	115	80~120	50/60	14/12	-	1500/1400	43/40	0.08/0.09	33
TACF519-H-220	230	180~240	50/60	21/20	-	2550/2500	73/70	0.13/0.15	43
TACF519-M-220	230	180~240	50/60	18/16	-	2100/2000	60/55	0.11/0.12	37
TACF519-L-220	230	180~240	50/60	14/12	-	1500/1400	43/40	0.08/0.09	33
TACF519-H-110/220 Dual voltage	115 230	80~120 180~240	50/60	21/20	-	2550/2500	73/70	0.13/0.15	43

Fan Performance Curves and Dimensions



R Type



* TEI reserves the right to change data and specs without notice* Tests are at nominal rated voltage against zero static pressure* Specifications subject to change without notice, data tolerance +-10%