



Dia.60mm , 180~63CFM

TACF-060JE

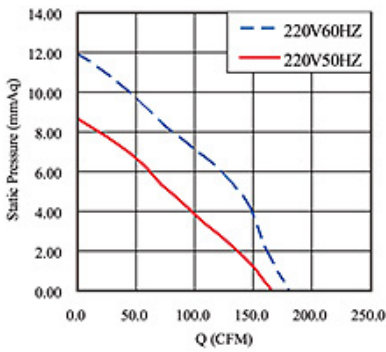
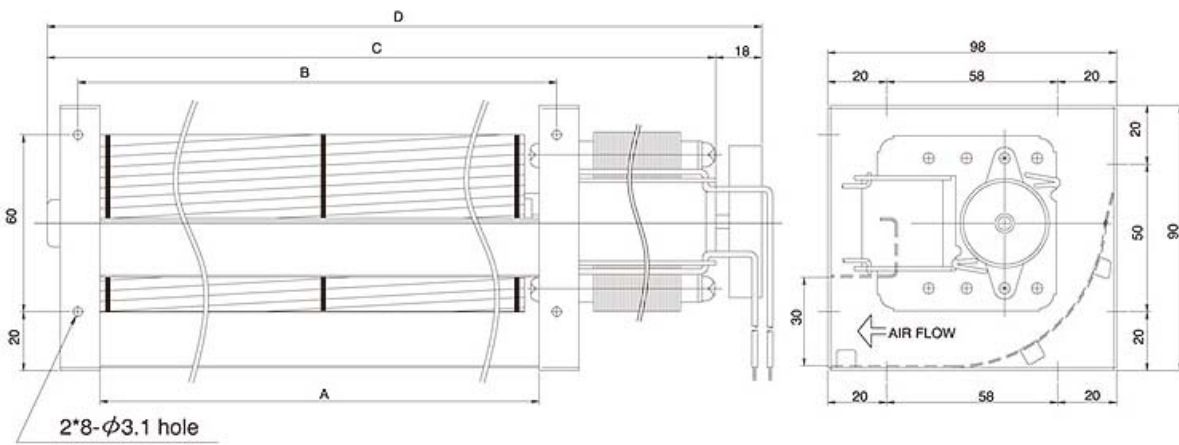
General specifications



- Motor: External rotor, shaded pole, impedance protection
- Casing: Steel Plate housing & frame with black color cosmetics
- Impeller: Aluminum alloy fan blade with natural treatment cosmetics, dia. 40mm
- Rotation: CCW or CW viewed from side of motor shaft outlet for choice of R or L type
- Bearing System: Permanently lubricated ball bearings for motor and impeller bracket
- Operating Temp: Acceptable -25C~+65C. Storage -30C~+90C (65%RH)
- L10 Life: 35,000 hrs at 45C, 30,000 hrs at 55C.
- Dielectric Strength: Over 1 min. at 500VAC, 50/60Hz
- Insulation Resistance: Over 10 Mega Ohm at DC 500V,
- Connection: Wire leads connecting AWG22, 300~350mm, stripped ends 3~5mm
- Net Weight: See below

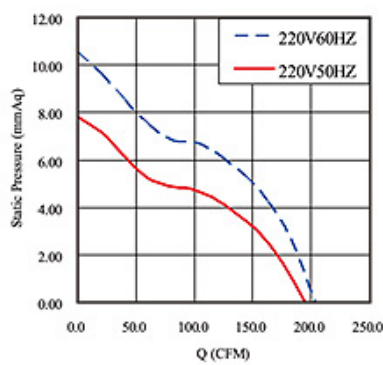
Model No.	Rated Voltage VAC	Bearing S/B	Freq. Hz	Input Power W	Rated Current A	Referenced Speed RPM	Max. Airflow CFM	Max. Static Pressure mmAq	Noise dB
TACF-060JE30-H-110	110	S,B	60	35	0.32	2800	194	7.6	54
TACF-060JE30-H-120	120	S,B	60	39	0.33	2900	205	7.8	55
TACF-060JE30-H-220	220	S,B	50/60	30/38	0.14/0.17	2600/2800	183/194	5.0 /7.6	50/54
TACF-060JE30-H-230	230	S,B	60	31	0.42	1900	102	4.9	41
TACF-060JE36-H-110	110	S,B	60	38	0.34	2500	223	5.4	53
TACF-060JE36-H-120	120	S,B	60	42	0.35	2600	240	6.7	54
TACF-060JE36-H-220	220	S,B	50/60	32/40	0.15/0.18	2500/2500	219/223	4.3/5.4	53/53
TACF-060JE36-H-230	230	S,B	50	34	0.16	2500	223	5.3	53
TACF-060JE42-H-110	110	S,B	60	42	0.38	2400	240	4.8	52
TACF-060JE42-H-120	120	S,B	50	47	0.39	2600	267	5.9	54
TACF-060JE42-H-220	220	S,B	50/60	35/43	0.16/0.19	2400/2400	234/234	4.1/5.0	52/52
TACF-060JE42-H-230	230	S,B	50	36	0.17	2500	252	4.4	53

Fan Performance Curves and Dimensions



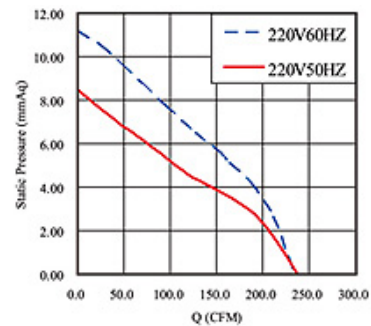
TACF-060JE30-H-110
TACF-060JE30-H-120
TACF-060JE30-H-220
TACF-060JE30-H-230

AxBxC
306x321x415
1800g



TACF-060JE36-H-110
TACF-060JE36-H-120
TACF-060JE36-H-220
TACF-060JE36-H-230

AxBxC
368x383x477
1850g



TACF-060JE46-H-110
TACF-060JE46-H-120
TACF-060JE46-H-220
TACF-060JE46-H-230

AxBxC
429x444x538
1930g

* TEI reserves the right to change data and specs without notice* Tests are at nominal rated voltage against zero static pressure* Specifications subject to change without notice, data tolerance +-10%