



Dia.60mm , 180~63CFM

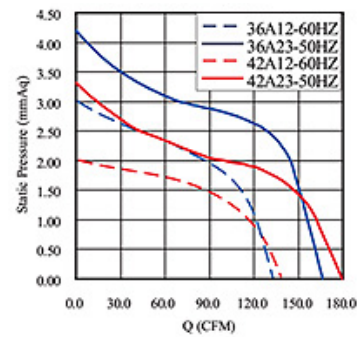
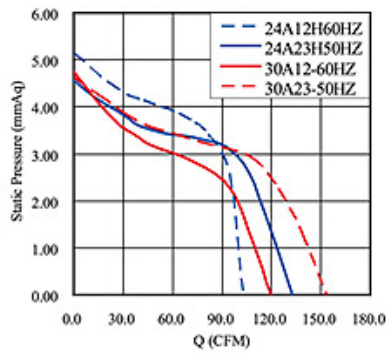
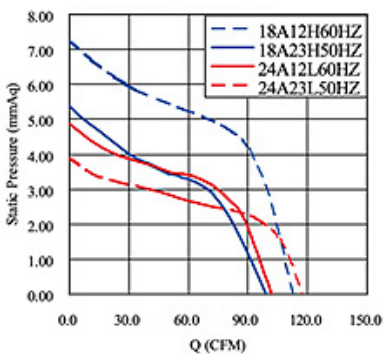
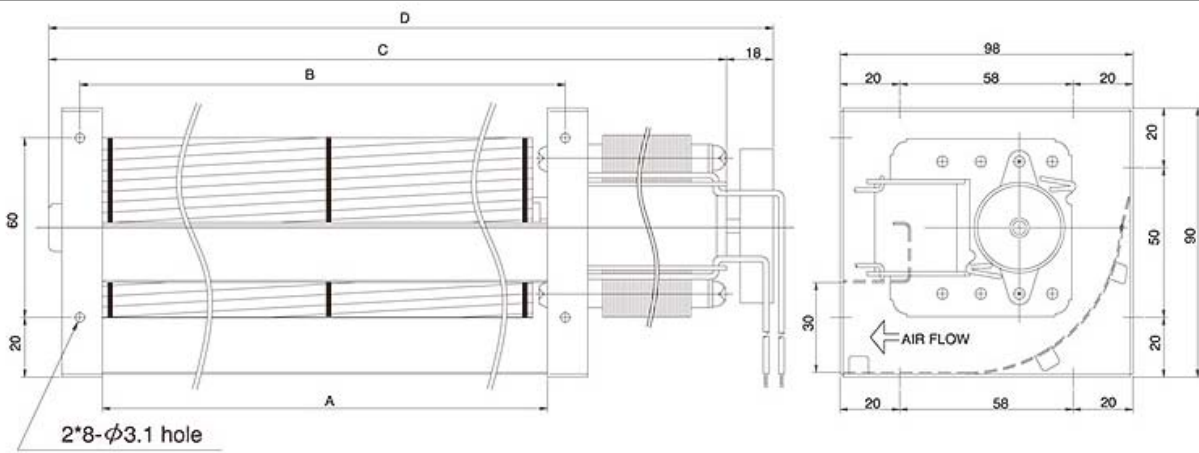
TACF-060A General specifications



- Motor: External rotor, shaded pole, impedance protection
- Casing: Steel Plate housing & frame with black color cosmetics
- Impeller: Aluminum alloy fan blade with natural treatment cosmetics, dia. 40mm
- Rotation: CCW or CW viewed from side of motor shaft outlet for choice of R or L type
- Bearing System: Permanently lubricated ball bearings for motor and impeller bracket
- Operating Temp: Acceptable -25C~+65C. Storage -30C~+90C (65%RH)
- L10 Life: 35,000 hrs at 45C, 30,000 hrs at 55C.
- Dielectric Strength: Over 1 min. at 500VAC, 50/60Hz
- Insulation Resistance: Over 10 Mega Ohm at DC 500V,
- Connection: Wire leads connecting AWG22, 300~350mm, stripped ends 3~5mm
- Net Weight: See below
- UL File # E195890

Model No.	Rated Voltage VAC	Bearing S/B	Freq. Hz	Input Power W	Rated Current A	Referenced Speed RPM	Max. Airflow CFM	Max. Static Pressure mmAq	Noise dB
TACF-060A18-H-110	120	S,B	60	37	0.55	2500	106	7.3	47
TACF-060A18-L-110	120	S,B	60	23	0.33	1700	63	3.8	35
TACF-060A24-H-110	120	S,B	60	42	0.60	2000	106	3.0	42
TACF-060A24-L-110	120	S,B	60	31	0.42	1900	102	4.9	41
TACF-060A30-H-110	120	S,B	60	42	0.63	1900	114	4.7	42
TACF-060A36-H-110	110	S,B	60	43	0.64	1700	133	3.0	41
TACF-060A42-H-110	110	S,B	60	44	0.64	1600	139	2.2	41
TACF-060A18-H-220	230	S,B	50	34	0.27	2500	106	5.4	47
TACF-060A18-L-220	230	S,B	50	23	0.17	2000	88	3.7	39
TACF-060A-24-H-220	230	S,B	50	35	0.27	2200	133	4.6	44
TACF-060A-24-L-220	230	S,B	50	31	0.23	2000	118	3.9	42
TACF-060A30-H-220	230	S,B	50	36	0.28	2200	154	4.6	44
TACF-060A36-H-220	230	S,B	50	38	0.30	2000	167	4.2	43
TACG-060A42-H-220	230	S,B	50	40	0.31	1800	180	3.3	43

Fan Performance Curves and Dimensions



TACF-060A18-H-110
AxBxC
184x199x262
1350g
TACF-060A18-H-220
AxBxC
184x199x262
1350g

TACF-060A24-L-110
AxBxC
245x260x323
1400g
TACF-060A24-L-220
AxBxC
245x260x323
1400g

TACF-060A24-H-110
AxBxC
245x260x323
1500g
TACF-060A24-H-220
AxBxC
245x260x323
1500g

TACF-060A30-H-110
AxBxC
306x321x384
1500g
TACF-060A30-H-220
AxBxC
306x321x384
1500g

TACF-060A36-H-110
AxBxC
368x383x446
1600g
TACF-060A36-H-220
AxBxC
368x383x446
1600g

TACF-060A42-H-110
AxBxC
429x444x507
1650g
TACF-060A42-H-220
AxBxC
429x444x507
1650g

* TEI reserves the right to change data and specs without notice* Tests are at nominal rated voltage against zero static pressure* Specifications subject to change without notice, data tolerance +-10%