



Dia.30mm , 60~17CFM

TACF-030

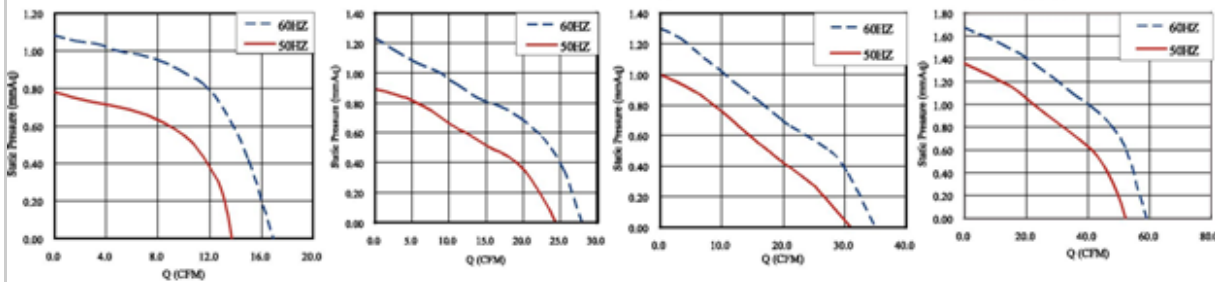
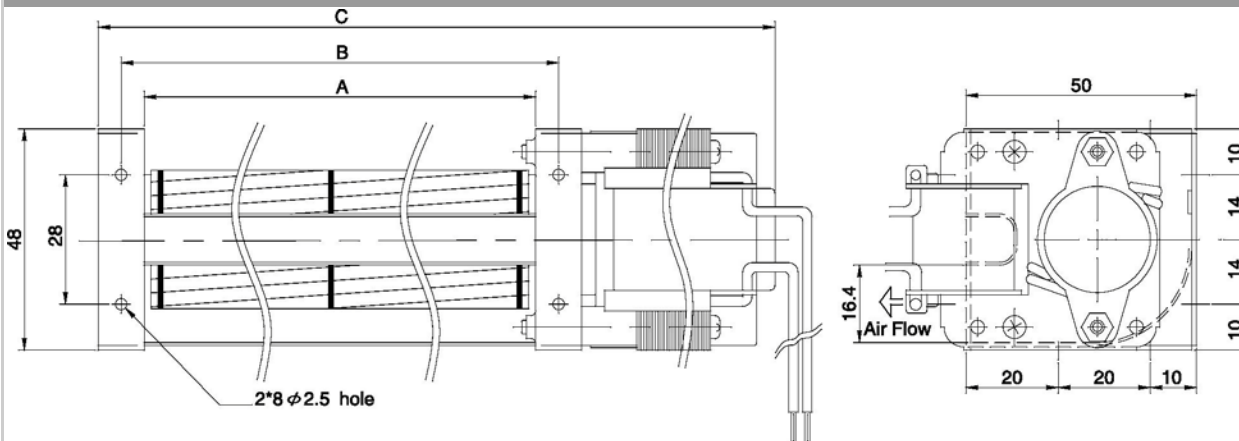
General specifications



- Motor: External rotor, shaded pole, impedance protection
- Casing: Steel Plate housing & frame with black color cosmetics
- Impeller: Aluminum alloy fan blade with natural treatment cosmetics, dia. 40mm
- Rotation: CCW or CW viewed from side of motor shaft outlet for choice of R or L type
- Bearing System: Permanently lubricated ball bearings for motor and impeller bracket
- Operating Temp: Acceptable -25C~+65C. Storage -30C~+90C (65%RH)
- L10 Life: 35,000 hrs at 45C, 30,000 hrs at 55C.
- Dielectric Strength: Over 1 min. at 500VAC, 50/60Hz
- Insulation Resistance: Over 10 Mega Ohm at DC 500V.
- Connection: Wire leads connecting AWG22, 300~350mm, stripped ends 3~5mm
- Net Weight: See below
- UL File # E195890

Model No.	Rated Voltage VAC	Bearing S/B	Freq. Hz	Input Power W	Rated Current A	Referenced Speed RPM	Max. Airflow CFM	Max. Static Pressure mmAq	Noise dB
TACF-03009-H-110	120	S,B	50/60	8/7	0.11/0.09	2500/2900	14/17	0.8/0.1.1	30/32
TACF-03015-H-110	120	S,B	50/60	10/8.5	0.13/0.11	3700/3200	21/28	0.9/1.9	32/35
TACF-03019-H-110	120	S,B	50/60	9/8	0.14/0.12	2700/3100	32/35	0.9/1.0	32/35
TACF-03029-H-110	230	S,B	50/60	15/13	0.20/0.17	2700/3100	53/60	1.4/1.4	34/37
TACF-03009-H-220	230	S,B	50/60	8/7	0.07/0.05	2500/2900	17/17	0.8/1.1	30/32
TACF-03015-H-220	230	S,B	50/60	10/9	0.05/0.07	2700/3100	24/28	0.9/1.2	32/35
TACF-03019-H-220	230	S,B	50/60	11/9	0.09/0.07	2700/3100	32/35	1.0/1.3	32/36
TACF-03029-H-220	230	S,B	50/60	12/11	0.09/0.07	2700/3100	53/60	1.4/1.7	34/37

Fan Performance Curves and Dimensions



TACF-03009
AxBxC
98x108x154
390g

TACF-03015
AxBxC
160x170x222
520g

TACF-03019
AxBxC
198x208x260
540g

TACF-03029
AxBxC
300x310x366
670g

* TEI reserves the right to change data and specs without notice* Tests are at nominal rated voltage against zero static pressure* Specifications subject to change without notice, data tolerance +-10%