

183x190x70 mm, 100~45 CFM

TAB908AN

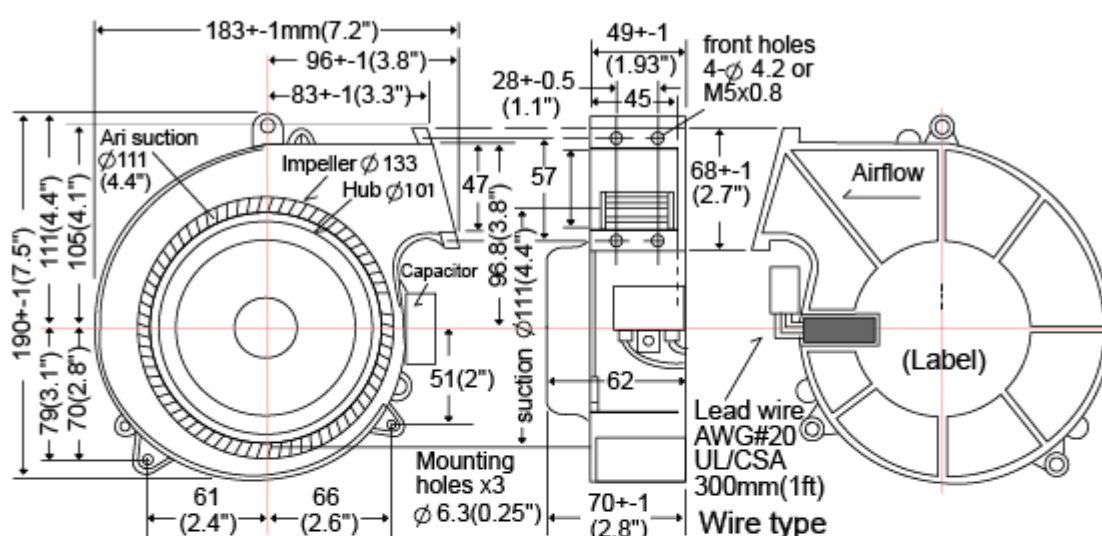
General specifications



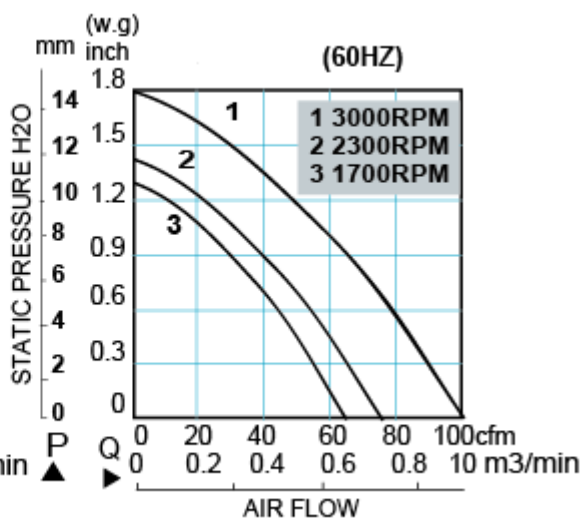
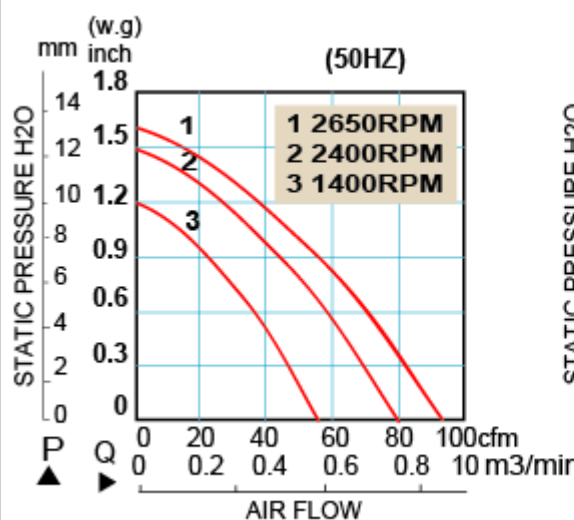
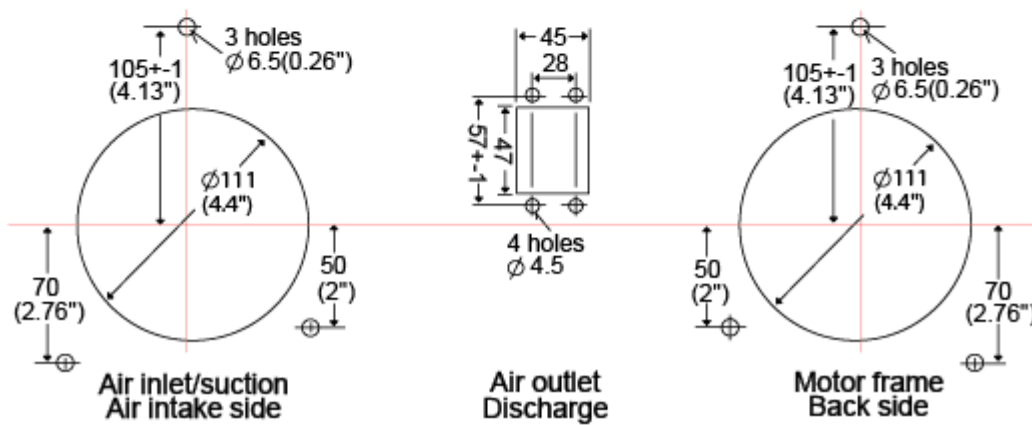
- Motor: Single phase, capacitor induction, 2/4 pole, inner rotor, thermal protection
- Motor Protection:
- Frame: Aluminum die-cast, natural color treatment case, steel plate housing cover
- Impeller: Glass fiber reinforced thermoplastic impeller, rated UL94V-0
- Bearing: Two high precision permanently lubricated ball bearings
- Rotation: CW looking at rotor, air inlet side of housing, air outlet from struts
- Operating Temp: Ambient non-condensing allowable thermal range -20C ~ +75C
- Storage Temp:
- Life Expectancy: MTBF life test 80,000 hours at +45C, 40,000 hours at +60C
- Dielectric Strength: Over 1 min. at 1,500 VAC, 0.5mA, 50/60 Hz
- Insulation Resistance: Over 100 Mega Ohm at DC 500V
- IP Protection:
- Connection: Wire lead
- Weight: 1650 g (3.6 Lbs)
- UL File# E195890

Model No.	Rated Voltage VAC	Voltage Range VAC	Freq. Hz	Input Power Watt	Ref. Speed RPM	Max. Airflow CFM	Max. Static Pressure Inch/H2O	Noise dB(A)
TAB908AN-H-110	115	60~130	50/60	65/80	2650/3000	90/100	1.6/1.8	69
TAB908AN-M-110	115	60~130	50/60	55/70	2400/2300	80/75	1.5/1.4	56
TAB908AN-L-110	115	60~130	55/60	45/60	1400/1700	55/65	1.2/1.3	48
TAB908AN-XL-110	115	60~140	50/60	45/60	1000/900	50/45	1.1/0.95	40
TAB908AN-H/M-110 dual speed	115	60~130	50/60	-H 65/80 -M 55/70	2650/3000 2400/2300	90/100 80/75	1.6/1.8 1.5/1.4	69 56
TAB908AN-M/L-110 dual speed	115	60~130	50/60	-M 55/70 -L 45/60	2400/2300 1400/1700	80/75 55/65	1.5/1.4 1.2/1.3	56 48
TAB908AN-H-220	230	120~260	50/60	65/80	2650/3000	90/100	1.6/1.8	69
TAB908AN-M-220	230	100~260	50/60	55/70	2400/2300	80/75	1.5/1.4	56
TAB908AN-L-220	230	100~260	50/60	45/60	1400/1700	55/65	1.2/1.3	48
TAB908AN-XL-220	230	100~260	50/60	45/60	1000/900	50/45	1.1/0.95	40
TAB908AN-H/M-220 dual speed	230	100~260	50/60	-H 65/80 -M 55/70	2650/3000 2400/2300	90/100 80/75	1.6/1.8 1.5/1.4	69 56
TAB908AN-M/L-220 dual speed (-N, -L)	230	100~260	50/60	-M 55/70 -L 45/60	2400/2300 1400/1700	80/75 55/65	1.5/1.4 1.2/1.3	56 48

Fan Performance Curves and Dimensions



Dimensions of installation holes



* TEI reserves the right to change data and specs without notice* Tests are at nominal rated voltage against zero static pressure* Specifications subject to change without notice, data tolerance +-10%