

TAB800AN

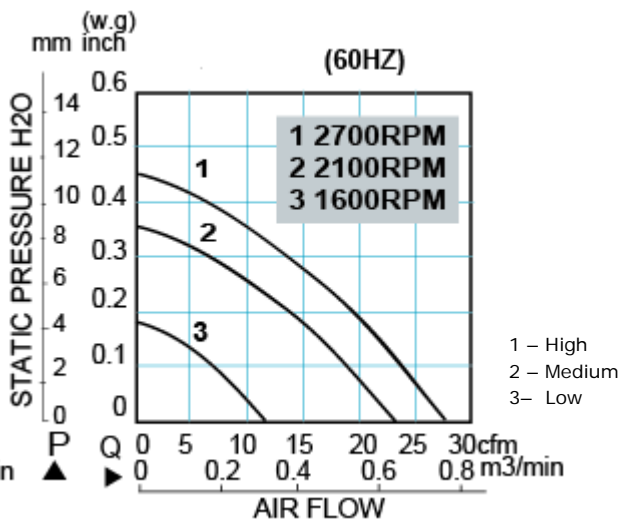
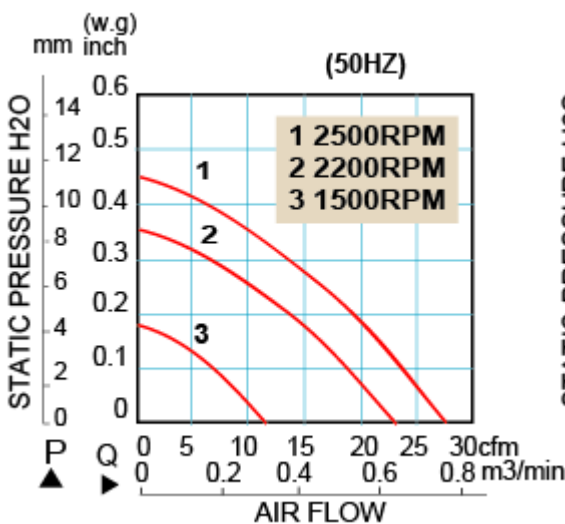
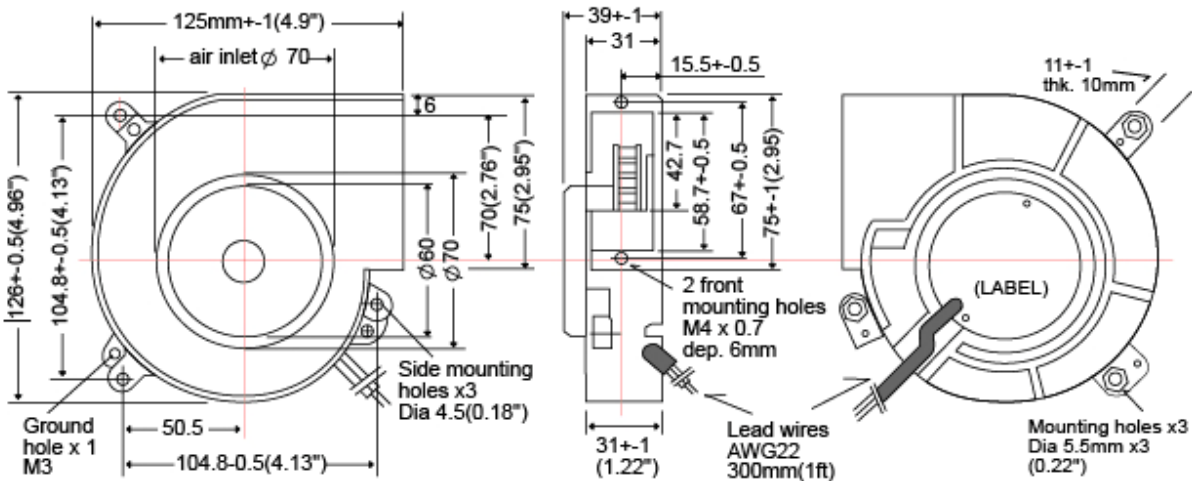
General specifications



- Motor: Shaded pole, inner rotor, single phase, impedance protected design
- Motor Protection:
- Frame: Aluminum die cast, natural color treatment
- Impeller: Glass fiber reinforced thermoplastic impeller, rated UL94V-0
- Bearing: Two high precision permanently lubricated ball bearings
- Rotation: CW looking at rotor, air inlet side of housing, air outlet from struts
- Operating Temp: Ambient non-condensing allowable thermal range -20C~ +75C
- Storage Temp:
- Life Expectancy: MTBF life test 85,000 hours at +45C, 40,000 hours at +60C
- Dielectric Strength: Over 1 min. at 1,500 VAC, 0.5mA, 50/60 Hz
- Insulation Resistance: Over 100 Mega Ohm at DC 500V
- IP Protection:
- Connection: Wire lead or Terminal flat pin connecting for choice
- Weight: 525 g (1.2 Lbs)

Model No.	Rated Voltage	Voltage Range	Freq.	Input Power	Ref. Speed	Max. Airflow	Max. Static Pressure	Noise
	VAC	VAC	Hz	Watt	RPM	CFM	Inch/H2O	dB(A)
TAB800AN-H-110	115	70~120	50/60	20/18	2500/2700	28/30	0.43/0.51	48
TAB800AN-M-110	115	70~120	50/60	14/12	2200/2100	23/22	0.36/0.35	39
TAB800AN-L-110	115	70~120	50/60	11/9	1500/1600	11/12	0.18/0.19	28
TAB800AN-H-220	230	120~240	50/60	20/18	2500/2700	28/30	0.43/0.51	48
TAB800AN-H-220	230	130~240	50/60	14/12	2200/2100	23/22	0.36/0.35	39
TAB800AN-L-220	230	140~240	50/60	11/9	1500/1600	11/12	0.19/0.19	28
TAB800AN-H-110/220 dual voltage	115 230	70~240	50/60	20/18	2500/2700	28/30	0.43/0.51	48

Fan Performance Curves and Dimensions



* TEI reserves the right to change data and specs without notice* Tests are at nominal rated voltage against zero static pressure* Specifications subject to change without notice, data tolerance +-10%