



92x92x38mm(Metal 7 Blades), 55~27CFM

TA9238M General specifications



- Motor: Shaded pole induction motor, outer rotor
- Motor Protection: Impedance protected
- Frame: Aluminum die-cast, black color
- Impeller: Metal 7 blades
- Bearing: Two ball bearings
- Rotation: CW view from label side
- Operating Temp: -30C ~ +80C (non-condensing)
- Storage Temp: -40C ~ +100C (at 65%RH)
- Life Expectancy: 50,000 hours at 55C
- Dielectric Strength: Over 1 min. at 1,500 VAC, 50/60Hz
- Insulation Resistance: Over 100 MΩ at DC 500V
- IP Protection: IP55
- Connection: Wire leads or terminal type
- Weight: 480 g (1.05 Lbs)

Model No.	Rated Voltage	Voltage Range	Freq.	Input Power	Ref. Speed	Max. Airflow	Max. Static Pressure	Noise
	VAC	VAC	Hz	Watt	RPM	CFM	Inch/H2O	dB(A)
TA9238M-H-110	115	100~120	50/60	17/15	2700/3150	45/55	0.17/0.22	40
TA9238M-M-110	115	100~120	50/60	13/11	2350/2600	36/42	0.14/0.16	33
TA9238M-L-110	115	100~120	50/60	9/7	1950/1850	29/27	0.12/0.11	23
TA9238M-H-220	230	200~240	50/60	17/15	2700/3150	45/55	0.17/0.22	40
TA9238M-M-220	230	200~240	50/60	13/11	2350/2600	36/42	0.14/0.16	33
TA9238M-L-220	230	200~240	50/60	9/7	1950/1850	29/27	0.12/0.11	23
TA9238M-H-110/220 dual voltage	115 230	100~120 200~240	50/60	17/15	2700/3150	45/55	0.17/0.22	40
TA9238M-H-12	12	12~14	50/60	17/15	2700/3150	45/55	0.17/0.22	40
TA9238M-H-24	24	24~28	50/60	17/15	2700/3150	45/55	0.17/0.22	40
TA9238M-H-28	28	28~34	50/60	17/15	2700/3150	45/55	0.17/0.22	40
TA9238M-H-48	48	48~58	50/60	17/15	2700/3150	45/55	0.17/0.22	40
TA9238M-H380	380	380~420	50/60	17/15	2700/3150	45/55	0.17/0.22	40
TA9238M-H-440	440	440~480	50/60	17/15	2700/3150	45/55	0.17/0.22	40

Related Product Information

Please see our related items below for suggested products to use with this item:

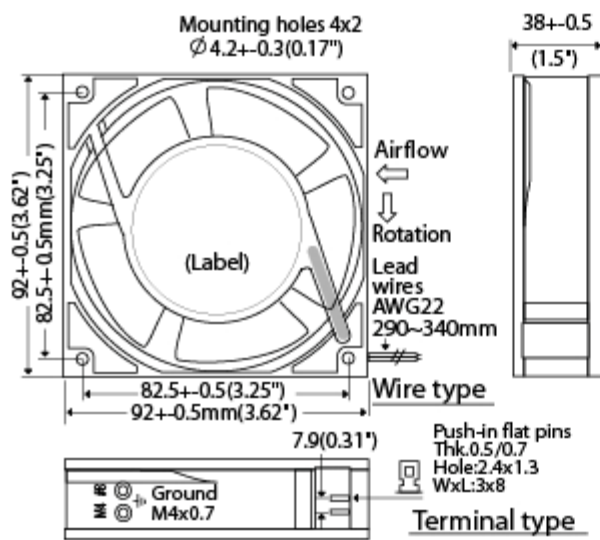
- Metal Fan Guard: TWG-92
- Plastic Fan Guard: TPG-92
- Plastic Fan Filter: TFK-92-30, TFK-92-45
- Metal Fan Screen: TMS-92

Related Technical Information

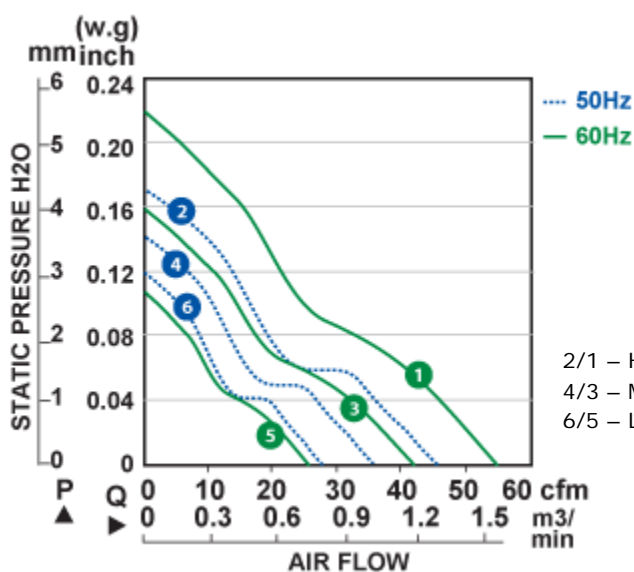
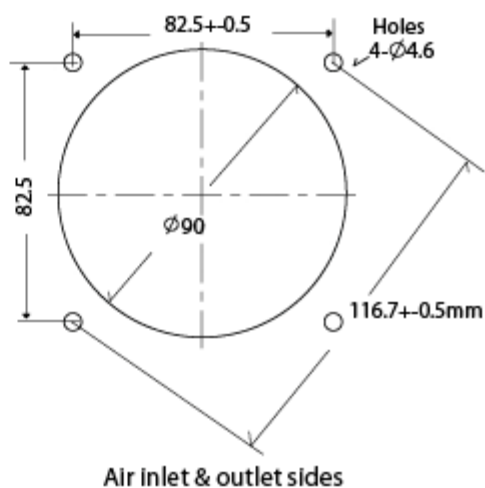
-Optional Function Leads:

- Tachometer, speed sensor pulses 5V, input 4.5~27 VDC, 1 signal each revolution, or 2 signals each revolution available on request. Function-T
- AC Alarm Fan, DC Power supply alarm output, open collector or TTL available. Function-L Alarm DC input
- Fan abnormal speed alarm, Programmable CPU AC Power alarm output, open collector or TTL available on request. Function-P Programmable CPU Alarm
- AC Metal Fan Dual Voltage Wiring Diagram : AC Metal Fan Dual Voltage 115/230
- AC Metal Fan Multiple Speed Wiring Diagram : AC Metal Fan Multiple speed 1/2/3 (High/Medium/Low)

Fan Performance Curves and Dimensions



Dimensions of installation holes



* TEI reserves the right to change data and specs without notice* Tests are at nominal rated voltage against zero static pressure*Specifications subject to change without notice, data tolerance +-10%