



92x92x25.5mm/3.6x1inch, 35~21 CFM

TA9225 General specifications



- Motor: Shaded pole, inner rotor, single phase impedance protected design
- Motor Protection:
- Frame: Aluminum die-cast, black color cosmetics
- Impeller: Plastic, rated UL94V-0
- Bearing: Two ball bearings. (Sleeve bearing on request only)
- Rotation: CCW view from label side
- Operating Temp: Ball bearing ambient -20C~+80C, for sleeve -10~+45C
- Storage Temp:
- Life Expectancy: MTBF life test for ball bearing 80,000 hours at 45C, 50,000 hours at 60C
- Dielectric Strength: Over 1 min. at 1,500 VAC, 0.5mA, 50/60 Hz
- Insulation Resistance: Over 100 Mega Ohm at DC 500V
- IP Protection:
- Connection: Wire lead or Terminal flat pin connecting for choice
- Weight: 290 g (0.64 Lbs)

Model No.	Rated Voltage VAC	Voltage Range VAC	Freq. Hz	Input Power Watt	Rated Current Amp	Ref. Speed RPM	Max. Airflow CFM	Max. Static Pressure Inch/H2O	Noise dB(A)
TA9225-H-110	115	100~120	50/60	15/13	0.18/0.15	2500/3000	30/35	0.16/0.20	30
TA9225-M-110	115	100~120	50/60	12/10	0.079/0.072	2100/2300	25/27	0.13/0.14	22
TA9225-L-110	115	100~120	50/60	8/6	0.06/0.05	1800/1900	21/22	0.09/0.10	19
TA9225-H-220	230	200~240	50/60	15/13	0.077/0.067	2500/3000	30/35	0.16/0.20	30
TA9225-M-220	230	200~240	50/60	12/10	0.039/0.035	2100/2300	25/27	0.13/0.14	22
TA9225-L-220	230	200~240	50/60	8/6	0.034/0.031	1800/1900	21/22	0.09/0.10	19
TA9225-H-24	24	24~28	50/60	15/13	-	2500/3000	30/35	0.16/0.20	30
TA9225-H-110/220 dual voltage	115 230	100~120 200~240	50/60	15/13	0.16/0.13 0.08/0.07	2500/3000	30/35	0.16/0.20	30

Related Product Information

Please see our related items below for suggested products to use with this item:

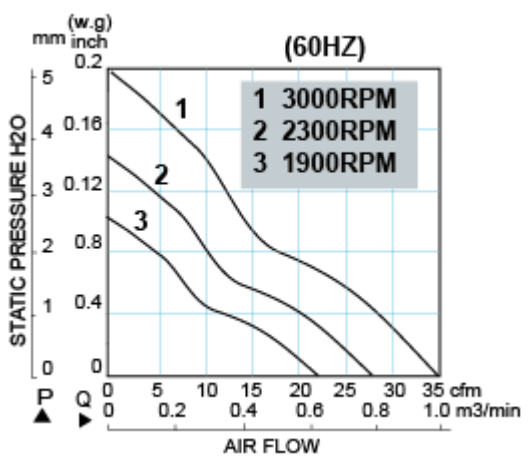
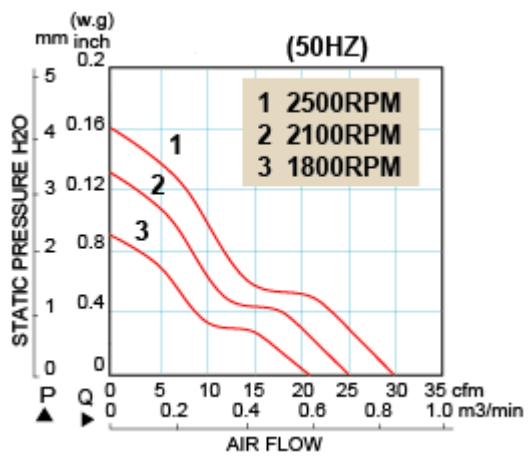
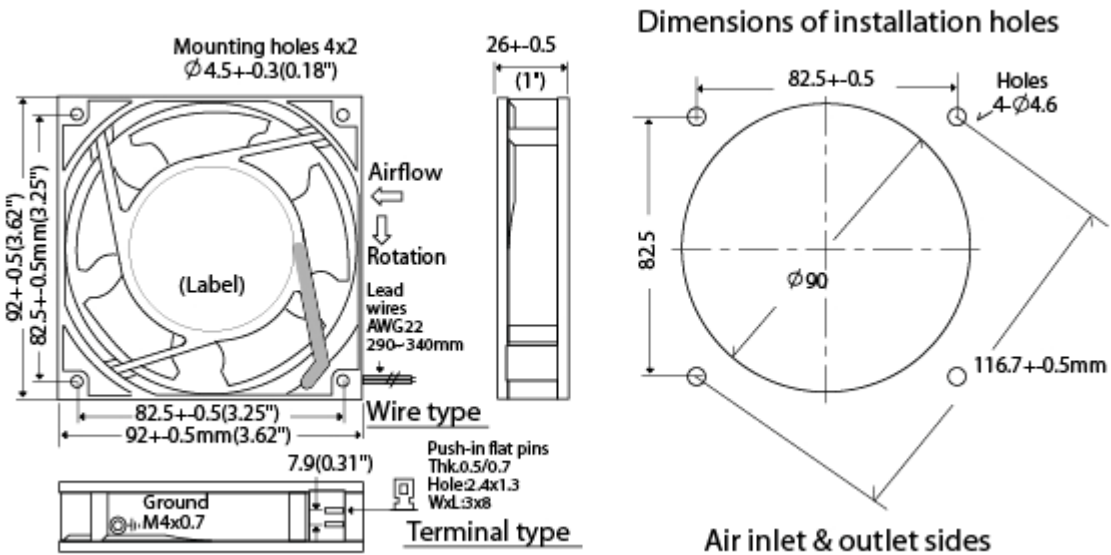
- Metal Fan Guard: TWG-92
- Plastic Fan Guard: TPC-92
- Plastic Fan Filter: TFK-92-30, TFK-92-45
- Metal Fan Screen: TMS-92

Related Technical Information

-Optional Function Leads:

- Tachometer, speed sensor pulses 5V, input 4.5~27 VDC, 1 signal each revolution, or 2 signals each revolution available on request. Function-T
- AC Alarm Fan, DC Power supply alarm output, open collector or TTL available. Function-L Alarm DC input
- Fan abnormal speed alarm, Programmable CPU AC Power alarm output, open collector or TTL available on request. Function-V Programmable CPU Alarm
- AC Fan Dual Voltage Wiring Diagram : AC Dual Fan Voltage 115/230 VAC

Fan Performance Curves and Dimensions



* TEI reserves the right to change data and specs without notice* Tests are at nominal rated voltage against zero static pressure* Specifications subject to change without notice, data tolerance +- 10%