



280x280x89mm(Metal 7 Blades), 1,300~450CFM

TA8990M General specifications



- Motor: Capacitor induction motor, outer rotor
- Motor Protection: Thermal protector
- Frame: Aluminum die-cast, natural color
- Impeller: Metal 7 blades
- Bearing: Two ball bearings
- Rotation: CW view from label side
- Operating Temp: -30C~+80C (non-condensing)
- Storage Temp: -40C~+100C (at 65%RH)
- Life Expectancy: 50,000 hours at 55C
- Dielectric Strength: Over 1 min. at 1,500 VAC, 0.5mA, 50/60Hz
- Insulation Resistance: Over 100 MΩ at DC 500V
- IP Protection: IP55
- Connection: Wire leads or terminal type
- Weight: 3,400g (7.4 Lbs)
- UL File# Pending



Pending

Model No.	Rated Voltage	Voltage Range	Freq.	Input Power	Ref. Speed	Max. Airflow	Max. Static Pressure	Noise
	VAC	VAC	Hz	Watt	RPM	CFM	Inch/H2O	dB(A)
TA8990M-H-110	115	100~120	50/60	155/210	2800/3200	1150/1300	1.2/0.75	74
TA8990M-M-110	115	100~120	50/60	110/180	2400/2500	1000/1050	1.02/0.59	62
TA8990M-L-110	115	100~120	50/60	32/43	1500/1600	620/650	0.53/0.45	46
TA8990M-XL-110	115	100~120	50/60	26/35	1200/1100	460/450	0.25/0.35	34
TA8990M-H/M-110 Dual speed	115	100~120	50/60	-H 155/210 -M 110/180	2800/3200 2400/2500	1150/1300 1000/1050	1.2/0.75 1.02/0.59	74 62
TA8990M-L/XL-110 Dual speed	115	100~120	50/60	-L 32/43 -XL 26/35	1500/1600 1200/1100	620/650 460/450	0.53/0.45 0.25/0.35	46 34
TA8990M-H-220	230	200~240	50/60	155/210	2800/3200	1150/1300	1.2/0.75	74
TA8990M-M-220	230	200~240	50/60	110/180	2400/2500	1000/1050	1.02/0.59	62
TA8990M-L-220	230	200~240	50/60	32/43	1500/1600	680/750	0.53/0.45	46
TA8990M-XL-220	230	200~240	50/60	26/35	1200/1100	460/450	0.35/0.25	34
TA8990M-H-240	240	200~240	50/60	155/210	2800/3200	1150/1300	1.2/0.75	74
TA8990M-H/M-220 Dual speed	230	200~240	50/60	-H 155/210 -M 95/110	2800/3200 2400/2500	1150/1300 1000/1050	1.2/0.75 1.02/0.59	74 62
TA8990M-L/XL-220 Dual speed	230	200~240	50/60	-L 32/43 -XL 26/35	1500/1600 1200/1100	620/650 460/450	0.53/0.45 0.25/0.35	46 34
TA8990M-H-110/220 Dual voltage	115 230	100~120 200~240	50/60	155/210	2800/3000	1150/1250	1.2/0.68	74
TA8990M-H-48	48	48~58	50/60	155/210	2800/3200	1150/1300	1.2/0.75	74
TA8990M-H-380	380	380~420	50/60	155/210	2800/3200	1150/1300	1.2/0.75	74
TA8990M-H-440	440	440~480	50/60	155/210	2800/3200	1150/1300	1.2/0.75	74

Related Product Information

Please see our related items below for suggested products to use with this item:

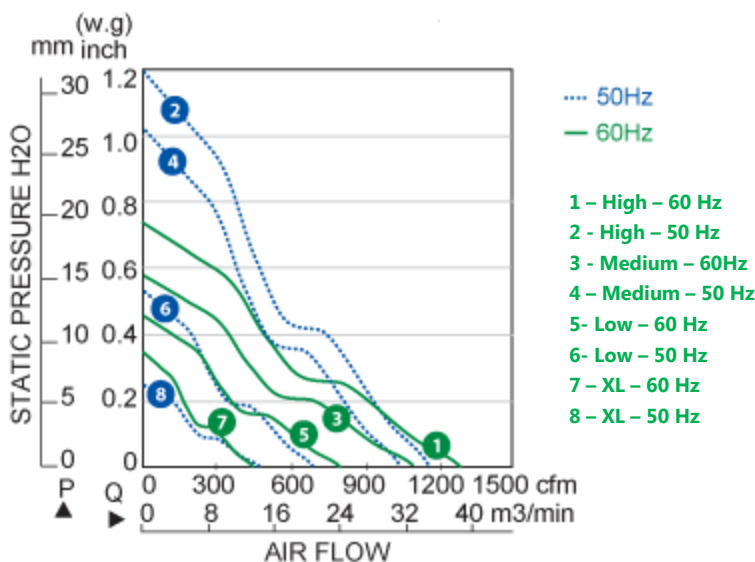
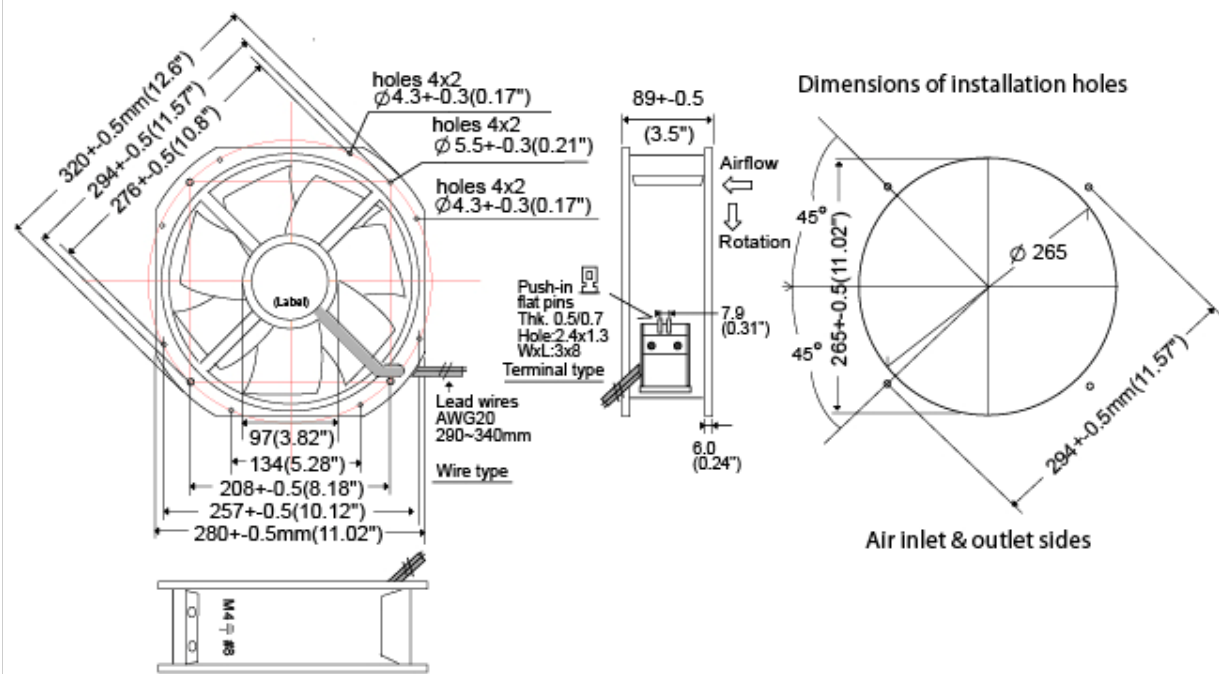
- Metal Fan Guard: TWG-280

Related Technical Information

-Optional Function Leads:

- Tachometer, speed sensor pulses 5V, input 4.5~27 VDC, 1 signal each revolution, or 2 signals each revolution available on request. Function-T
- AC Alarm Fan, DC Power supply alarm output, open collector or TTL available. Function-L Alarm DC input
- Fan abnormal speed alarm, Programmable CPU AC Power alarm output, open collector or TTL available on request. Function-P Programmable CPU Alarm
- AC Metal Fan Dual Voltage Wiring Diagram : AC Metal Fan Dual Voltage 115VAC/230VAC
- AC Metal Fan Multiple Speed Wiring Diagram : AC Metal Fan Multiple speed H/M/L (High/Medium/Low)

Fan Performance Curves and Dimensions



* TEI reserves the right to change data and specs without notice* Tests are at nominal rated voltage against zero static pressure*Specifications subject to change without notice, data tolerance +-10%