

**280x280x88.9mm/11x3.5 inch, 1,300~470CFM
outer rotor motor fan**

TA8990

General specifications



- Motor: External rotor, capacitor induction, 2 or 4 pole, thermally protected
- Motor Protection:
- Frame: Aluminum die cast, natural treatment. Black color available on request
- Impeller: Glass fiber reinforced PC, high impact thermoplastic, rated UL94V-0
- Bearing: High precision permanently lubricated ball bearings
- Rotation: CCW looking at rotor, air outlet from struts
- Operating Temp: Ambient non-condensing allowable thermal range -20~ +75C
- Storage Temp:
- Life Expectancy: MTBF Formula L10 indoor life test 80K hours at 35C, 40K hours at 60C
- Dielectric Strength: Over 1 min. at 1,500 VAC, 0.5mA, 50/60 Hz
- Insulation Resistance: Over 100 Mega Ohm at DC 500V
- IP Protection:
- Connection: Wire leads or Terminal flat pin connecting for choice
- Weight: 3,400g (7.5 Lbs)

Pending

Model No.	Rated Voltage VAC	Voltage Range VAC	Freq. Hz	Input Power Watt	Ref. Speed RPM	Max. Airflow CFM	Max. Static Pressure Inch/H2O	Noise dB(A)
TA8990-H-110	115	70~130	50/60	185/250	2700/2900	1200/1300	1.1/0.93	72
TA8990-M-110	115	70~130	50/60	120/170	2000/2100	880/900	0.7/0.62	64
TA8990-L-110	115	80~130	50/60	38/50	1500/1600	660/750	0.38/0.49	49
TA8990-XL-110	115	80~130	50/60	32/38	1100/1200	470/485	0.18/0.13	35
TA8990-H-220	230	130~260	50/60	185/250	2700/2900	1200/1300	1.1/0.93	72
TA8990-M-220	230	130~260	50/60	120/170	2000/2100	880/900	0.7/0.62	64
TA8990-L-220	230	140~260	50/60	38/50	1500/1600	660/750	0.38/0.49	49
TA8990-XL-220	230	140~260	50/60	32/38	1100/1200	470/485	0.18/0.13	35
TA8990-H-110/220	115 230	70~130 130~260	50/60	185/250	2700/2900	1200/1300	1.1/0.93	72

Related Product Information

Please see our related items below for suggested products to use with this item:

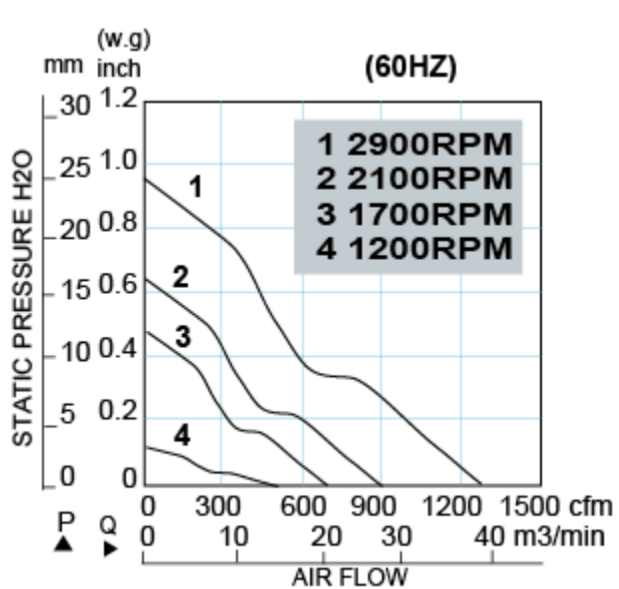
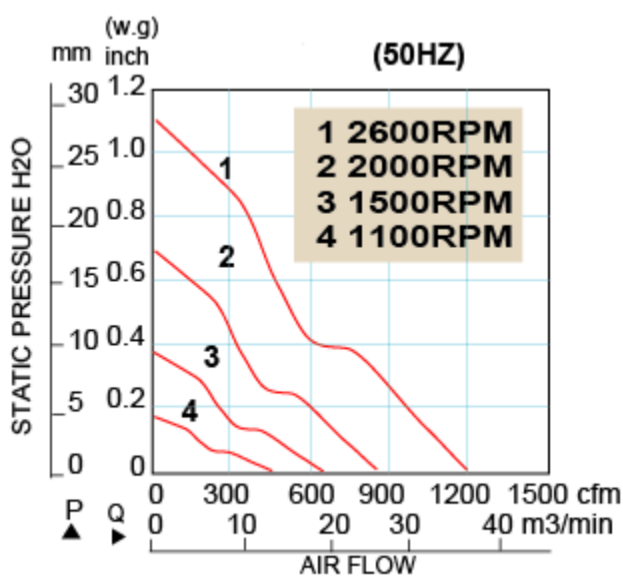
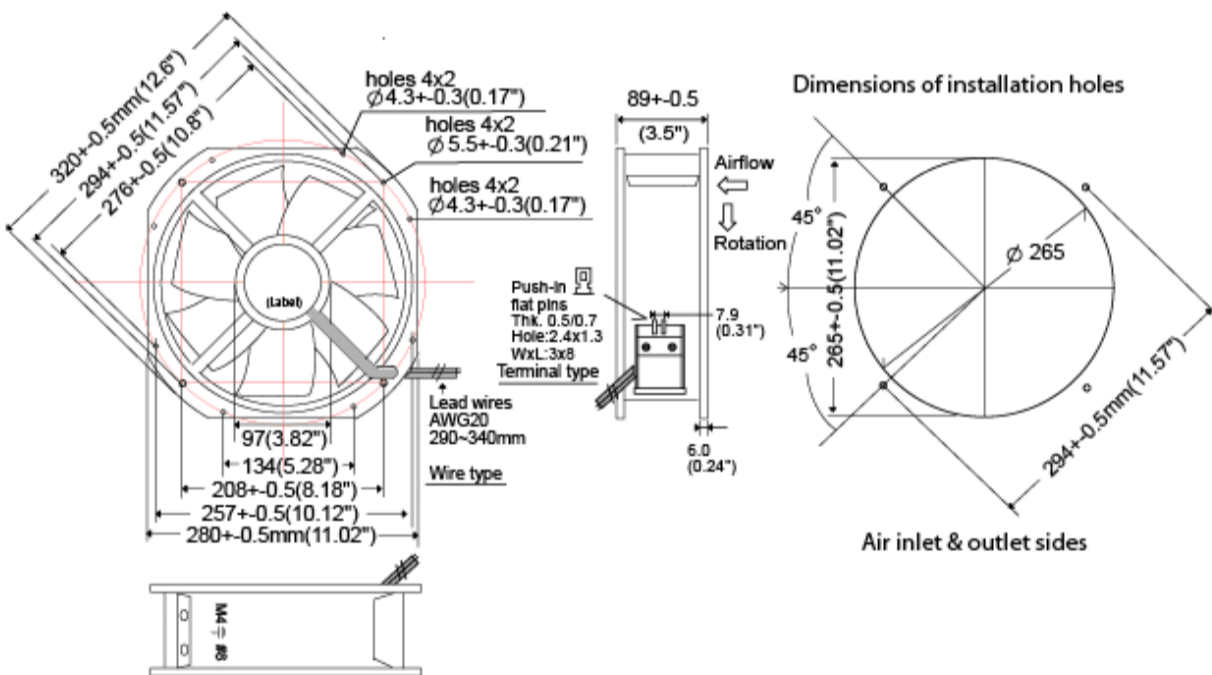
- Metal Fan Guard: TWG-280

Related Technical Information

-Optional Function Leads:

- Tachometer, speed sensor pulses 5V, input 4.5~27 VDC, 1 signal each revolution, or 2 signals each revolution available on request. Function-T
- AC Alarm Fan, DC Power supply alarm output, open collector or TTL available. Function-L Alarm DC input
- Fan abnormal speed alarm, Programmable CPU AC Power alarm output, pen collector or TTL available on request. Function-P Programmable CPU Alarm
- AC Fan Dual Voltage Wiring Diagram : AC Fan Dual Voltage 115/230VAC

Fan Performance Curves and Dimensions



* TEI reserves the right to change data and specs without notice* Tests are at nominal rated voltage against zero static pressure*Specifications subject to change without notice, data tolerance +-10%