



180x180x65mm(Metal 7 Blades), 400~120 CFM

TA80865M

General specifications



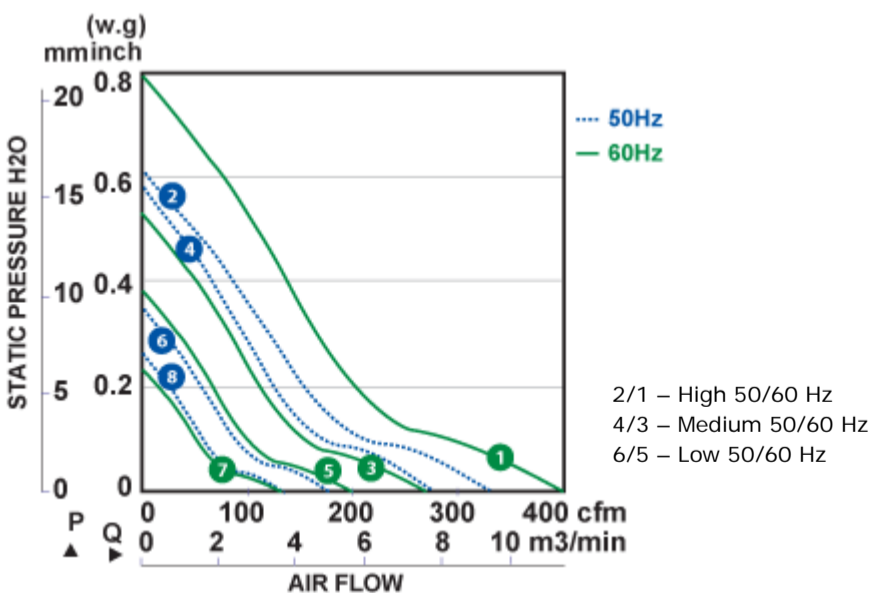
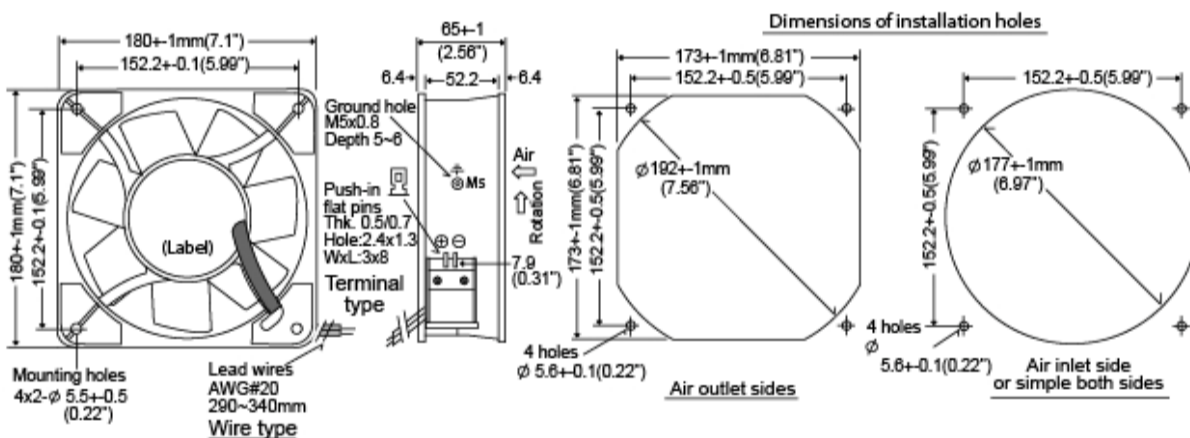
- Motor: Capacitor induction motor, outer rotor
- Motor Protection: Thermal protector
- Frame: Aluminum die-cast, natural color
- Impeller: Metal 7 blades
- Bearing: Two ball bearings
- Rotation: CW view from label side
- Operating Temp: -30C~+80C (non-condensing)
- Storage Temp: -40C~+100C (at 65%RH)
- Life Expectancy: 50,000 hours at 55C
- Dielectric Strength: Over 1 min. at 1,500 VAC, 50/60Hz
- Insulation Resistance: Over 100 MΩ at DC 500V
- IP Protection: IP55
- Connection: Wire leads or terminal type
- Weight: 1800 g (3.96 Lbs)



Pending

Model No.	Rated Voltage VAC	Voltage Range VAC	Freq. Hz	Input Power Watt	Ref. Speed RPM	Max. Airflow CFM	Max. Static Pressure Inch/H2O	Noise dB(A)
TA80865M-H-100	100	100~120	50/60	45/50	2750/3250	330/400	0.6/0.8	65
TA80865M-H110	115	100~120	50/60	45/50	2750/3250	330/400	0.6/0.8	65
TA80865M-M-110	115	100~120	50/60	30/35	2300/2200	275/265	0.58/0.52	53
TA80865M-L-110	115	100~120	50/60	25/28	1500/1600	185/200	0.35/0.38	42
TA80865M-XL-110	115	100~120	50/60	20/23	1100/1000	130/125	0.25/0.23	35
TA80865M-H/M-110 dual speed	115	100~120	50/60	-H 45/55 -M 30/35	2750/3250 2300/2200	330/400 275/265	0.6/0.8 0.58/0.52	65 53
TA80865M-L/XL-110 dual speed	115	100~120	50/60	-L 30/35 -XL 25/28	1500/1600 1100/1000	185/200 130/125	0.35/0.38 0.25/0.23	42 35
TA80865M-H-200	200	200~240	50/60	45/50	2750/3250	330/400	0.6/0.8	65
TA80865M-H-220	230	200~240	50/60	45/50	2750/3250	330/400	0.6/0.8	65
TA80865M-M-220	230	200~240	50/60	30/35	2300/2200	275/265	0.58/0.52	53
TA80865M-L0220	230	200~240	50/60	25/28	1500/1600	185/200	0.35/0.38	42
TA80865M-XL-220	230	200~240	50/60	20/23	1100/1000	130/125	0.25/0.23	35
TA80865M-H/M-220 dual speed	230	200~240	50/60	-H 45/50 -M 30/35	2750/3250 2300/2200	330/400 275/265	0.6/0.8 0.58/0.52	65 53
TA80865M-L/XL-220 dual speed	230	200~240	50/60	-L 25/28 -XL 20/23	1500/1600 1100/1000	185/200 130/125	0.35/0.38 0.25/0.23	42 35
TA80865M-H-110/220 dual voltage	115 230	100~120 200~240	50/60	45/50	2750/3250	330/400	0.6/0.8	65
TA80865M-H-12	12	12~14	50/60	45/50	2700/3250	330/400	0.6/0.8	64
TA80865M-H-24	24	24~28	50/60	45/50	2700/3250	330/400	0.6/0.8	64
TA80865M-H-28	28	28~34	50/60	45/50	2700/3250	330/400	0.6/0.8	65
TA80865M-H-48	48	48~58	50/60	45/50	2700/3250	330/400	0.6/0.8	64
TA80865M-H-380	380	380~440	50/60	45/50	2800/3250	330/400	0.6/0.8	64
TA80865M-H-440	440	440~480	50/60	45/50	2800/3250	330/400	0.6/0.8	62

Fan Performance Curves and Dimensions



* TEI reserves the right to change data and specs without notice* Tests are at nominal rated voltage against zero static pressure* Specifications subject to change without notice, data tolerance +-10%