



**80x80x38mm(Metal 9 Blades), 33~18 CFM**

**TA8038M General specifications**



- Motor: Shaded pole induction motor, outer rotor
- Motor Protection: Impedance protected
- Frame: Aluminum die-cast, black color.
- Impeller: Metal 9 blades
- Bearing: Two ball bearings
- Rotation: CW view from label side
- Operating Temp: -30C ~ +80C (non-condensing)
- Storage Temp: -40C ~ +100C (at 65%RH)
- Life Expectancy: 50,000 hours at 55C
- Dielectric Strength: Over 1 min. at 1,500 VAC, 50/60Hz
- Insulation Resistance: Over 100 MΩ at DC 500V
- IP Protection: IP55
- Connection: Wire leads or terminal type
- Weight: 430 g (0.95 Lbs)



Model No.	Rated Voltage VAC	Voltage Range VAC	Freq. Hz	Input Power Watt	Ref. Speed RPM	Max. Airflow CFM	Max. Static Pressure Inch/H2O	Noise dB(A)
TA8038M-H-110	115	100~120	50/60	15/13	2750/3200	28/33	0.15/0.18	35
TA8038M-11-M-110	115	100~120	50/60	12/10	2200/2500	23/26	0.12/0.14	30
TA8038M-L-110	115	100~120	50/60	8/6	1700/1900	18/21	0.07/0.08	23
TA8038M-H-220	230	200~240	50/60	15/13	2750/3200	28/33	0.15/0.18	35
TA8038M-M-220	230	200~240	50/60	12/10	2200/2500	23/26	0.12/0.14	30
TA8038M-L-220	230	200~240	50/60	8/6	1700/1900	18/21	0.07/0.08	23
TA8038M-H-110/220 dual voltage	115 230	100~120 200~240	50/60	15/13	2750/3200	28/33	0.15/0.18	35
TA8038M-H-12	12	12~14	50/60	15/13	2750/3200	28/33	0.15/0.18	35
TA8038M-H-24	24	24~28	50/60	15/13	2750/3200	28/33	0.15/0.18	35
TA8038M-H-28	28	28~34	50/60	15/13	2750/3200	28/33	0.15/0.18	35
TA8038M-H-48	48	48~58	50/60	15/13	2750/3200	28/33	0.15/0.18	35
TA8038M-H-380	380	380~420	50/60	15/13	2750/3200	28/33	0.15/0.18	35
TA8038M-H-440	440	440~480	50/60	15/13	2750/3200	28/33	0.15/0.18	35

**Related Product Information**

Please see our related items below for suggested products to use with this item:

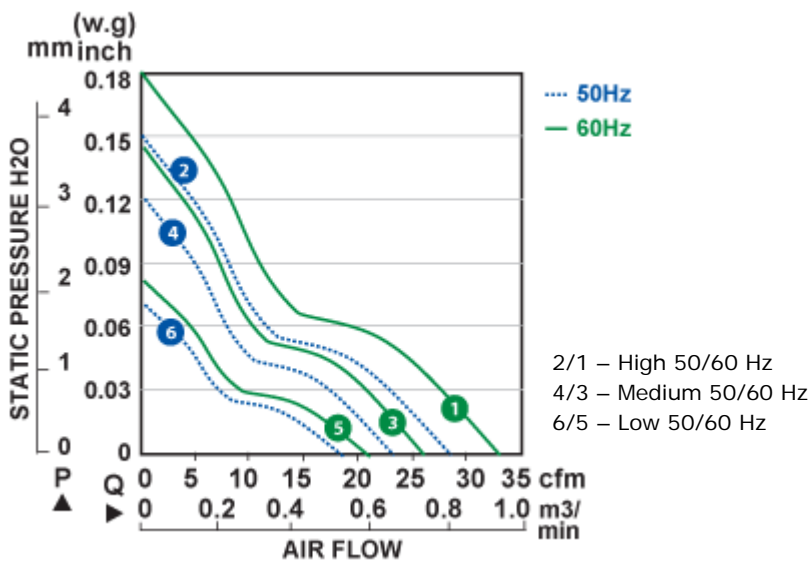
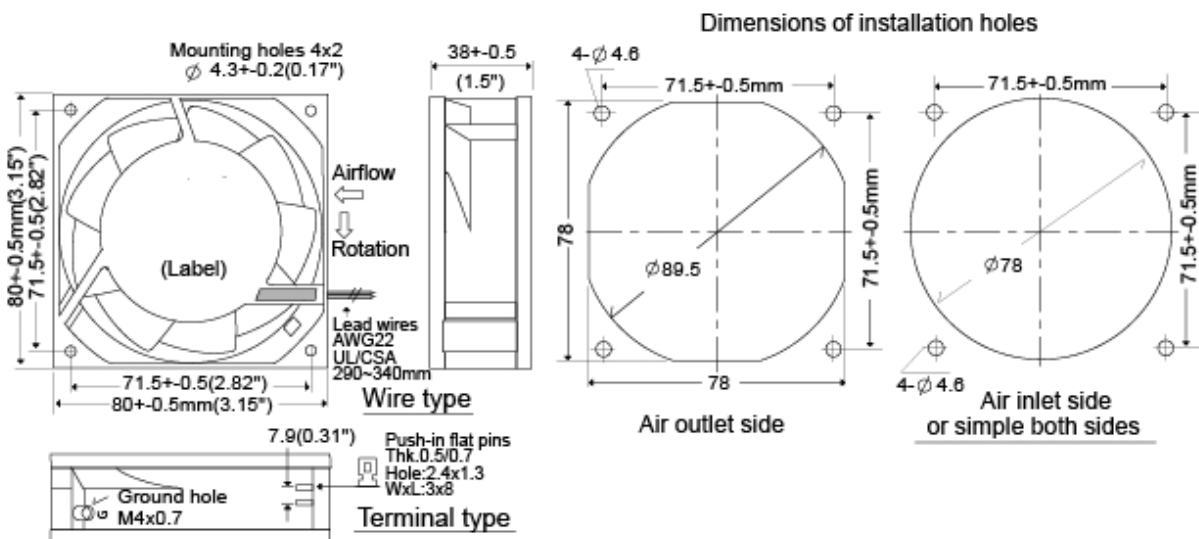
- Metal Fan Guard: TWG-80
- Plastic Fan Guard: TPG-80
- Plastic Fan Filter: TFK-80-30, TFK-80-45
- Metal Fan Screen: TMS-80

**Related Technical Information**

-Optional Function Leads:

- Tachometer, speed sensor pulses 5V, input 4.5~27 VDC, 1 signal each revolution, or 2 signals each revolution available on request. Function-T
- AC Alarm Fan, DC Power supply alarm output, open collector or TTL available. Function-L Alarm DC input
- Fan abnormal speed alarm, Programmable CPU AC Power alarm output, open collector or TTL available on request. Function-P Programmable CPU Alarm
- AC Metal Fan Dual Voltage Wiring Diagram : AC Fan Dual Voltage 115/230
- AC Metal Fan Multiple Speed Wiring Diagram : AC Metal Fan Multiple Speed – H/M/L

**Fan Performance Curves and Dimensions**



\* TEI reserves the right to change data and specs without notice\* Tests are at nominal rated voltage against zero static pressure\*Specifications subject to change without notice, data tolerance +-10%