



280x280x88.9mm/11x3.5 inch, 1450~460 CFM

**TA2889 General specifications**



- Motor: Capacitor induction, 1 phase, 2 or 4 pole, thermal protection (3 phase available)
- Motor Protection:
- Frame: Aluminum die cast, black color. Option: Natural color treatment
- Impeller: Plastic, rated UL94V-0
- Bearing: Two ball bearings
- Rotation: CCW view from label side
- Operating Temp: Ambient non-condensing allowable thermal range -20~+65C
- Storage Temp:
- Life Expectancy: MTBF Formula L10 indoor life test 90K hours at 35C, 50K hours at 60C
- Dielectric Strength: Over 1 min. at 1,500 VAC, 0.5mA, 50/60 Hz
- Insulation Resistance: Over 100 Mega Ohm at DC 500V
- IP Protection:
- Connection: Wire lead or Terminal flat pin connecting for choice
- Weight: 3,950g ( 8.7 Lbs)

Model No.	Rated Voltage	Voltage Range	Freq.	Input Power	Ref. Speed	Max. Airflow	Max. Static Pressure	Noise
	VAC	VAC	Hz	Watt	RPM	CFM	Inch/H2O	dB(A)
TA2889-H-110	115	70~120	50/60	181/286	2800/3200	1300/1450	1.25/1.1	72
TA2889-M-110	115	70~120	50/60	58/55	1500/1700	650/750	0.38/0.49	48
TA2889-L-110	115	70~120	50/60	32/37	1100/1000	465/450	0.16/0.11	35
TA2889-H-220	230	150~240	50/60	181/286	2800/3200	1300/1450	1.25/1.1	72
TA2889-M-220	230	150~240	50/60	58/55	1500/1700	650/750	0.38/0.49	48
TA2889-L-220	230	150~240	50/60	32/37	1100/1000	465/450	0.16/0.11	35
TA2889-H-380	380	200~420	50/60	90/140	2750/3000	1280/1360	1.2/1	70
TA2889-H-440	440	200~480	50/60	90/140	2750/3000	1280/1360	1.2/1	70

**Related Product Information**

Please see our related items below for suggested products to use with this item:

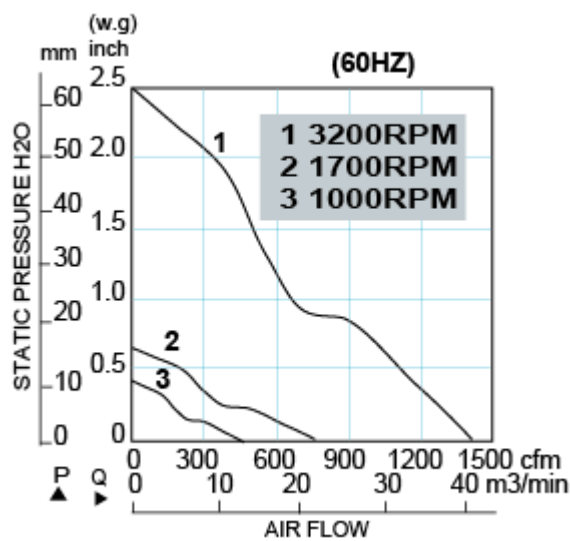
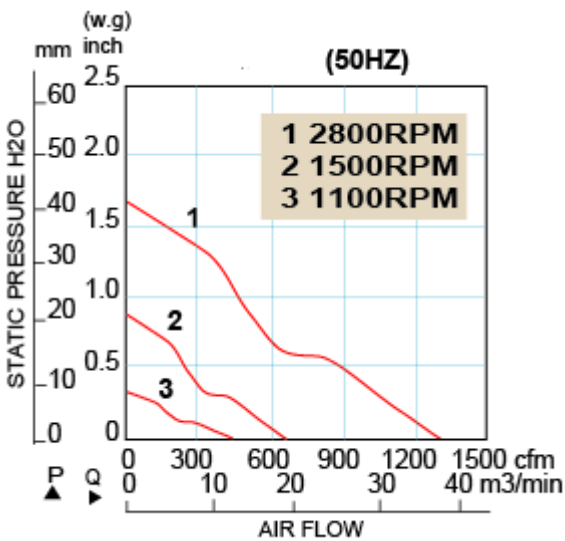
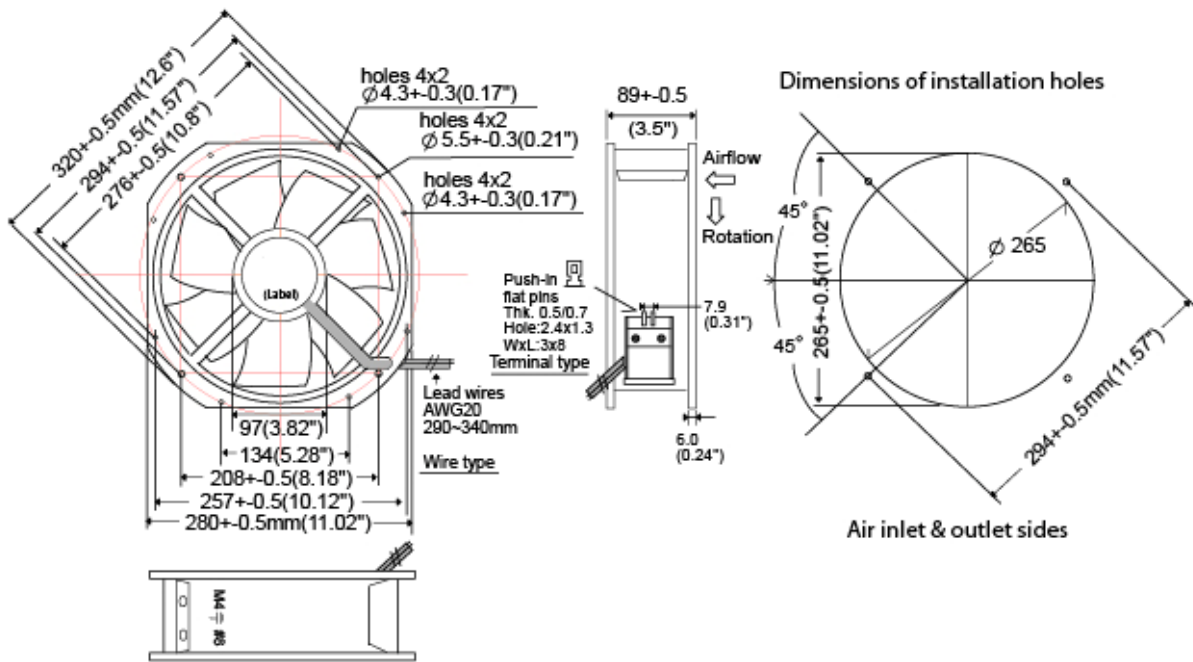
- Metal Fan Guard: TPG-280

**Related Technical Information**

-Optional Function Leads:

- Tachometer, speed sensor pulses 5V, input 4.5~27 VDC, 1 signal each revolution, or 2 signals each revolution available on request. Function-T
- AC Alarm Fan, DC Power supply alarm output, open collector or TTL available. Function-L Alarm DC input
- Fan abnormal speed alarm, Programmable CPU AC Power alarm output, open collector or TTL available on request. Function-P Programmable CPU Alarm
- AC Fan Dual Voltage Wiring Diagram : AC Dual Fan Voltage 115/230VAC

**Fan Performance Curves and Dimensions**



\* TEI reserves the right to change data and specs without notice\* Tests are at nominal rated voltage against zero static pressure\*Specifications subject to change without notice, data tolerance +-10%