



Dia.200x220x70mm/8x2.8inch, 510~190CFM

**TA20070 General specifications**



- Motor: Single phase, capacitor induction, 2/4 pole, inner rotor, thermal protection
- Motor Protection:
- Frame: Aluminum die cast, black color. Option: Natural color treatment
- Impeller: Plastic, rated UL94V-0
- Bearing: Two ball bearings
- Rotation: CCW view from label side
- Operating Temp: Ambient non-condensing allowable thermal range -20~+75C
- Storage Temp:
- Life Expectancy: Indoor free air running test MTBF 90K hours at 35C, 40K hours at 60C
- Dielectric Strength: Over 1 min. at 1,500 VAC, 0.5mA, 50/60 Hz
- Insulation Resistance: Over 100 Mega Ohm at DC 500V
- IP Protection:
- Connection: Wire lead or Terminal flat pin connecting for choice
- Weight: 2,200 g (4.85 Lbs)

Model No.	Rated Voltage VAC	Voltage Range VAC	Freq. Hz	Input Power Watt	Ref. Speed RPM	Max. Airflow CFM	Max. Static Pressure Inch/H2O	Noise dB(A)
TA20070-H-110	115	100~120	50/60	60/75	2800/3200	440/510	0.85/0.97	66
TA20070-M-110	115	100~120	50/60	45/55	2400/2600	370/400	0.72/0.80	52
TA20070-L-110	115	100~120	50/60	23/35	1600/1500	260/230	0.49/0.45	43
TA20070-H/M-110 dual speed,2 pole	115	100~120	50/60	-1 60/75 -2 45/55	2800/3250 2400/2600	440/510 270/400	0.85/0.97 0.72/0.80	66 52
TA20070-M/L-110 dual speed,4 pole	115	100~120	50/60	-2 45/55 -3 23/35	2400/2600 1600/1500	370/400 260/230	0.72/0.80 0.49/0.45	52 43
TA20070-H-220	230	200~240	50/60	60/75	2800/3200	440/510	0.85/0.97	66
TA20070-M-220	230	200~240	50/60	45/55	2400/2600	370/400	0.72/0.80	52
TA20070-L-220	230	200~240	50/60	23/35	1600/1500	260/230	0.49/0.45	43
TA20070-H/M-220 dual speed,2 pole	230	200~240	50/60	-1 60/75 -2 45/55	2800/3250 2400/2600	440/510 270/400	0.85/0.97 0.72/0.80	66 52
TA20070-M/L-220 dual speed,4 pole	230	200~240	50/60	-2 45/55 -3 23/35	2400/2600 1600/1500	370/400 260/230	0.72/0.80 0.49/0.45	52 43

**Related Product Information**

Please see our related items below for suggested products to use with this item:

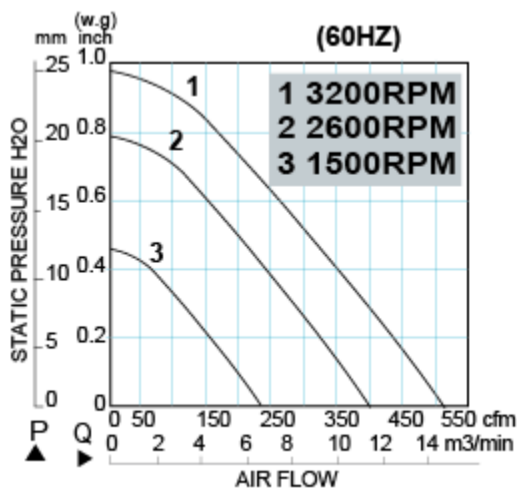
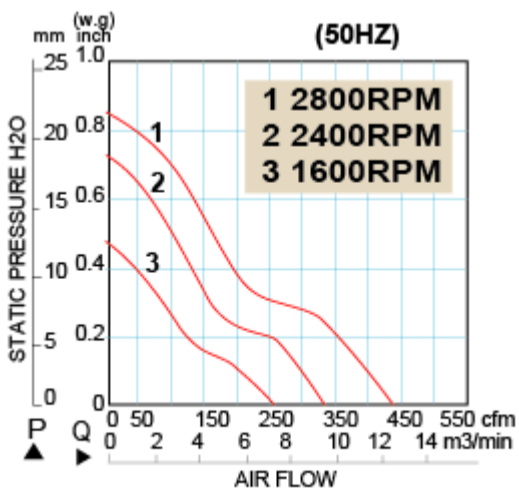
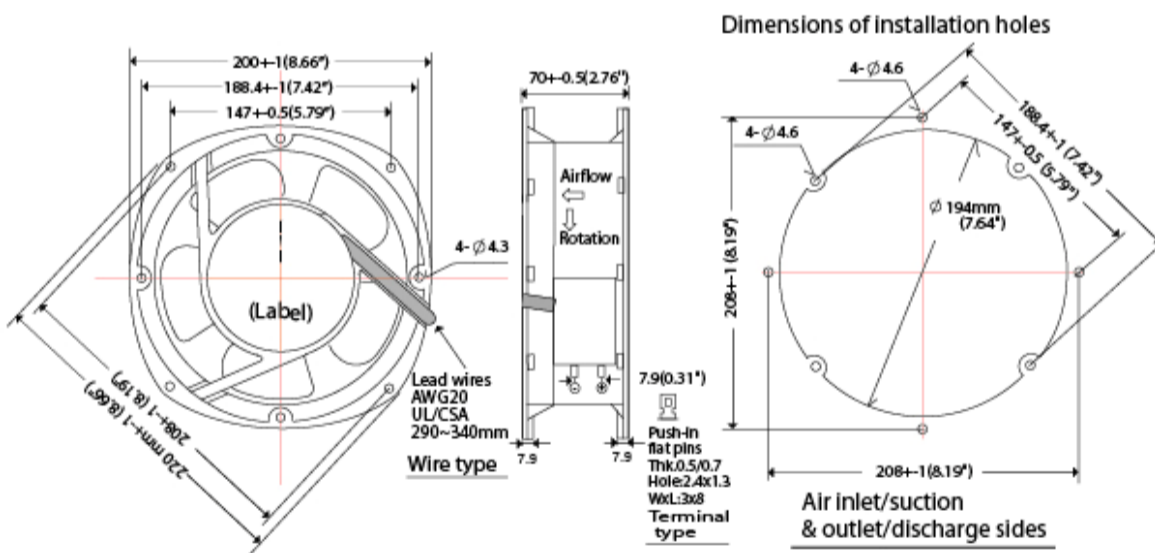
- Metal Fan Guard: TWG-200

**Related Technical Information**

-Optional Function Leads:

- Tachometer, speed sensor pulses 5V, input 4.5~27 VDC, 1 signal each revolution, or 2 signals each revolution available on request. Function-T
- AC Alarm Fan, DC Power supply alarm output, open collector or TTL available. Function-L Alarm DC input
- Fan abnormal speed alarm, Programmable CPU AC Power alarm output, open collector or TTL available on request. Function-P Programmable CPU Alarm
- AC Fan Dual Voltage Wiring Diagram : AC Dual Fan Voltage 115/230V

**Fan Performance Curves and Dimensions**



\* TEI reserves the right to change data and specs without notice\* Tests are at nominal rated voltage against zero static pressure\* Specifications subject to change without notice, data tolerance +-10%