



176x176x89mm (Metal 7 Blades), 380~120 CFM, Tach & Alarm Fan

TA18689M

General specifications



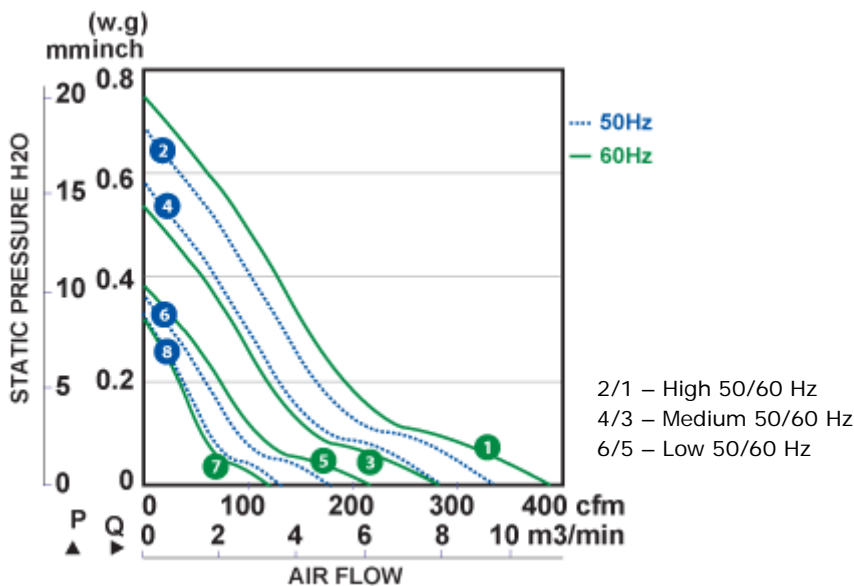
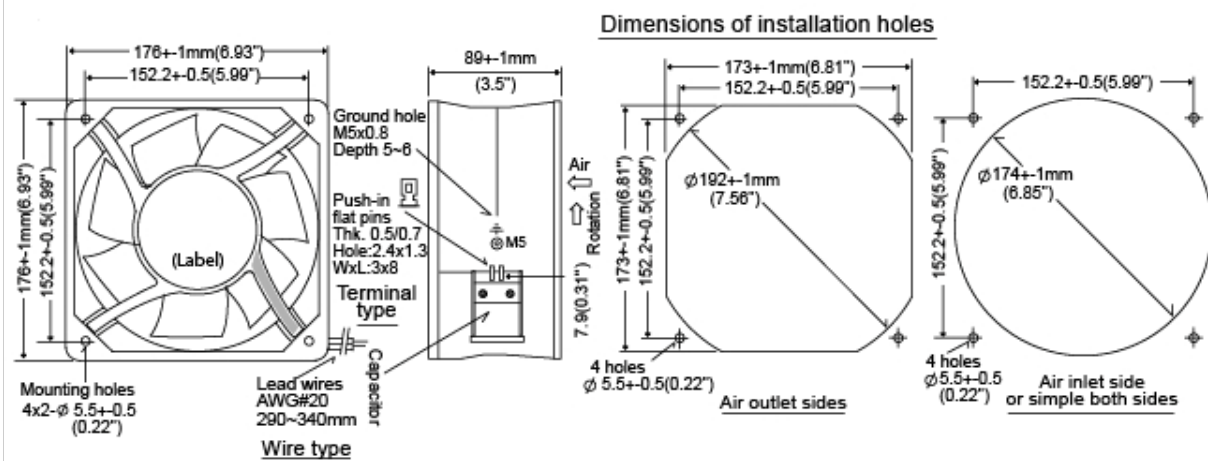
- Motor: Capacitor induction motor, outer rotor
- Motor Protection: Thermal protector
- Frame: Aluminum die-cast, natural color
- Impeller: Metal 7 blades
- Bearing: Two ball bearings
- Rotation: CW view from label side
- Operating Temp: -30C~+80C (non-condensing)
- Storage Temp: -40C~+100C (at 65%RH)
- Life Expectancy: 50,000 hours at 55C
- Dielectric Strength: Over 1 min. at 1,500 VAC, 50/60 Hz
- Insulation Resistance: Over 100 MΩ at DC 500V
- IP Protection: IP55
- Connection: Wire leads or terminal type
- Weight: 1850g (4.08Lbs)



Pending

Model No.	Rated Voltage	Voltage Range	Freq.	Input Power	Ref. Speed	Max. Airflow	Max. Static Pressure	Noise
	VAC	VAC	Hz	Watt	RPM	CFM	Inch/H2O	dB(A)
TA18689M-H-100	100	100~120	50/60	45/50	2750/3250	330/380	0.69/0.76	63
TA18689M-H-110	115	100~120	50/60	45/50	2750/3250	330/380	0.69/0.76	63
TA18689M-M-110	115	100~120	50/60	30/35	2350/2250	285/275	0.59/0.53	52
TA18689M-L-110	115	100~120	50/60	21/23	1450/1650	175/210	0.36/0.39	41
TA18689M-XL-110	115	100~120	50/60	25/28	1100/1000	130/120	0.33/0.32	37
TA18689M-H/M-110 dual speed	115	100~120	50/60	-H 45/50 -M 30/35	2750/3250 2350/2250	330/380 285/275	0.69/0.76 0.59/0.53	63 52
TA18689M-L/XL-110 dual speed	115	100~120	50/60	-L 25/28 -XL 21/23	1450/1650 1100/1000	175/210 130/120	0.36/0.39 0.33/0.32	41 37
TA18689M-H-200	200	200~240	50/60	45/50	2750/3250	330/380	0.69/0.76	63
TA18689M-H-220	230	200~240	50/60	45/50	2750/3250	330/380	0.69/0.76	63
TA18689M-M-220	230	200~240	50/60	30/35	2350/2250	285/275	0.59/0.53	52
TA18689M-L-220	230	200~240	50/60	25/28	1450/1650	175/210	0.36/0.39	41
TA18689M-XL-220	230	200~240	50/60	21/23	1100/1000	130/120	0.33/0.32	37
TA18689M-H/M-220 dual speed	230	200~240	50/60	-H 45/50 -M 30/35	2750/3250 2350/2250	330/380 285/275	0.69/0.76 0.59/0.53	63 52
TA18689M-L/XL-220 dual speed	230	200~240	50/60	-L 25/28 -XL 21/23	1450/1650 1100/1000	175/210 130/120	0.36/0.39 0.33/0.32	41 37
TA18689M-H-110/220 dual voltage	115 230	100~120 200~240	50/60	45/50	2750/3250	330/380	0.69/0.76	63
TA18689M-H-380	380	380~420	50/60	45/50	2750/3250	330/380	0.69/0.76	63
TA18689M-H-440	440	440~480	50/60	45/50	2750/3250	330/380	0.69/0.76	63

Fan Performance Curves and Dimensions



* TEI reserves the right to change data and specs without notice* Tests are at nominal rated voltage against zero static pressure* Specifications subject to change without notice, data tolerance +-10%