



180x180x65mm(Metal 5 Blades), 370~210 CFM

TA1865M

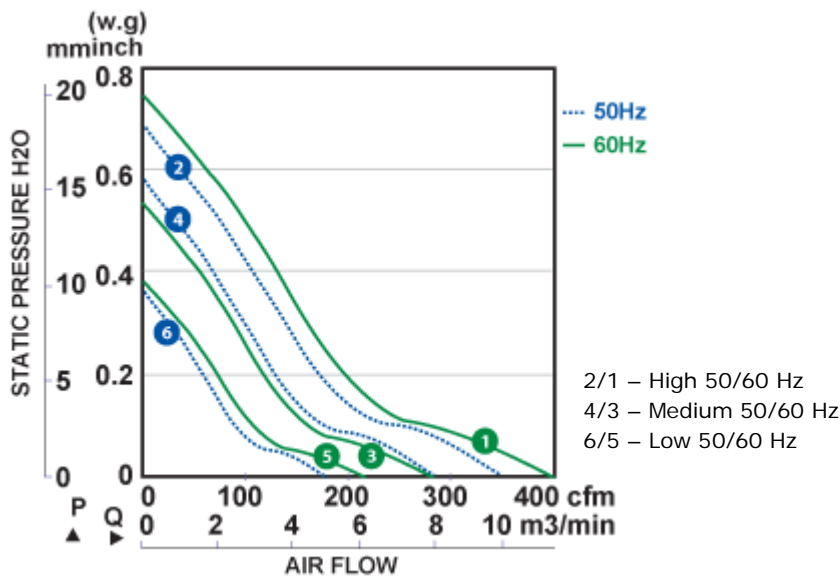
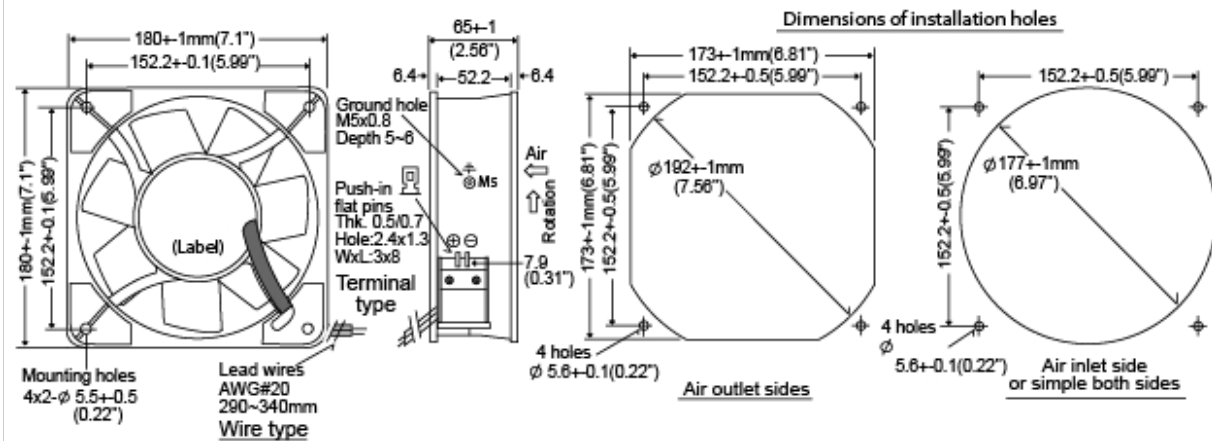
General specifications



- Motor: Shaded pole induction motor, outer rotor
- Motor Protection: Thermal protector
- Frame: Aluminum die-cast, black color
- Impeller: Metal 5 blades
- Bearing: Two ball bearings
- Rotation: CCW view from label side
- Operating Temp: -30C~+80C (non-condensing)
- Storage Temp: -40C~+100C (at 65%RH)
- Life Expectancy: 50,000 hours at 55C
- Dielectric Strength: Over 1 min. at 1,500 VAC, 50/60Hz
- Insulation Resistance: Over 100 MΩ at DC 500V
- IP Protection: IP55
- Connection: Wire leads or terminal type
- Weight: 1700g (3.75Lbs)

Model No.	Rated Voltage VAC	Voltage Range VAC	Freq. Hz	Input Power Watt	Ref. Speed RPM	Max. Airflow CFM	Max. Static Pressure Inch/H2O	Noise dB(A)
TA1865M-H-100	100	100~120	50/60	88/76	2700/3200	320/370	0.68/0.75	63
TA1865M-H-110	115	100~120	50/60	88/76	2700/3200	320/370	0.68/0.75	63
TA1865M-M-110	115	100~120	50/60	62/52	2300/2200	270/260	0.58/0.52	52
TA1865M-L-110	115	100~120	50/60	45/35	1400/1650	165/200	0.35/0.38	40
TA1865M-H/M-110 dual speed	115	100~120	50/60	-H 88/76 -M 62/52	2700/3200 2350/2200	320/370 275/260	0.68/0.75 0.58/0.52	63 52
TA1865M-H/M/L-110 triple speed	115	100~120	50/60	-H 88/76 -M 62/52 -L 45/35	2700/3200 2300/2200 1400/1650	320/370 275/260 200>	0.68/0.75 0.58/0.52 0.35/0.38	63 52 40
TA1865M-H-200	200	200~240	50/60	88/76	2700/3200	320/370	0.68/0.75	63
TA1865M-H-220	230	200~240	50/60	88/76	2700/3200	320/370	0.68/0.75	63
TA1865M-M-220	230	200~240	50/60	62/52	2300/2200	270/260	0.58/0.52	52
TA1865M-L-220	230	200~240	50/60	45/35	1400/1650	160/200	0.35/0.38	40
TA1865M-H-240	240	200~240	50/60	88/76	2700/3200	320/370	0.68/0.75	63
TA1865M-H/M-220 dual speed	230	200~240	50/60	-H 88/76 -M 62/52	2700/3200 2300/2200	320/370 270/260	0.68/0.75 0.58/0.52	63 52
TA1865M-M/L-220 triple speed	230	200~240	50/60	-H 88/76 -M 62/52 -L 45/35	2700/3200 2300/2200 1400/1650	320/370 270/260 165/200	0.68/0.75 0.58/0.52 0.35/0.38	63 52 40
TA1865M-H-110/220 dual voltage	115 230	100~120 200~240	50/60	88/76	2700/3200	320/370	0.68/0.75	63
TA1865M-H-12	12	12~14	50/60	88/76	2700/3200	320/370	0.68/0.75	63
TA1865M4-H-24	24	24~28	50/60	88/76	2700/3200	320/370	0.68/0.75	63
TA1865M6-H-28	28	28~34	50/60	88/76	2700/3200	320/370	0.68/0.75	63
TA1865M8-H-48	48	48~58	50/60	88/76	2700/3200	320/370	0.68/0.75	63
TA1865M-H-380	380	380~420	50/60	88/76	2700/3200	320/370	0.68/0.75	63
TA1865M-H-440	440	440~480	50/60	88/76	2700/3200	320/370	0.68/0.75	63

Fan Performance Curves and Dimensions



\* TEI reserves the right to change data and specs without notice\* Tests are at nominal rated voltage against zero static pressure\*Specifications subject to change without notice, data tolerance +-10%