



176x176x89 mm/7x3.5inch, 410~190 CFM

TA17689 General specifications



- Motor: Single phase, capacitor induction, 2/4 pole, inner rotor, thermal protection
- Motor Protection:
- Frame: Aluminum die-cast, black color cosmetics
- Impeller: Plastic, rated UL94V-0
- Bearing: Two ball bearings
- Rotation: CW view from label side
- Operating Temp: Ambient non-condensing allowable thermal range -20~ +75C
- Storage Temp:
- Life Expectancy: Indoor free air running test MTBF 90K hours at 35C, 40K hours at 60C
- Dielectric Strength: Over 1 min. at 1,500 VAC, 0.5mA, 50/60 Hz
- Insulation Resistance: Over 100 Mega Ohm at DC 500V
- IP Protection:
- Connection: Wire lead or Terminal flat pin connecting for choice
- Weight: 1800 g (4.0 Lbs)

Model No.	Rated Voltage VAC	Voltage Range VAC	Freq. Hz	Input Power Watt	Ref. Speed RPM	Max. Airflow CFM	Max. Static Pressure Inch/H2O	Noise dB(A)
TA17689-H-110	115	100~120	50/60	60/70	2750/3200	360/410	0.71 /0.90	62
TA17689-M-110	115	100~120	50/60	40/50	2300/2200	305/290	0.62/0.58	50
TA17689-L-110	115	100~120	50/60	26/38	1400/1600	190/210	0.37/0.43	38
TA17689-H/M-110 dual speed	115	100~120	50/60	-1 60/70 -2 40/50	2750/3200 2300/2200	360/410 305/290	0.71 /0.90 0.62/0.58	62 49
TA17689-H-220	230	200~240	50/60	60/70	2750/3200	360/410	0.71 /0.90	62
TA17689-M-220	230	200~240	50/60	40/50	2300/2200	305/290	0.62/0.58	50
TA17689-L-220	230	200~240	50/60	26/38	1400/1600	190/210	0.37/0.43	38
TA17689-H/M-220 dual speed	230	200~240	50/60	-1 60/70 -2 40/50	2750/3200 2300/2200	360/410 305/290	0.71 /0.90 0.62/0.58	62 50
TA17689-H-380	380	380~420	50/60	60/70	2700/3200	355/410	0.71 /0.90	62
TA17689-H-440	440	440~480	50/60	60/70	2700/3200	355/410	0.71 /0.90	62

Related Product Information

Please see our related items below for suggested products to use with this item:

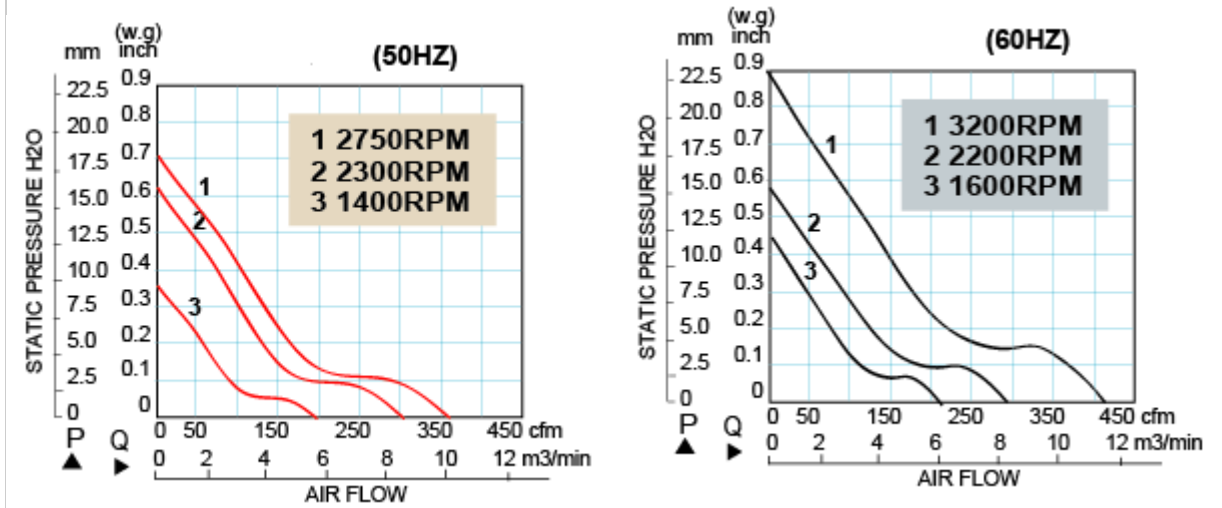
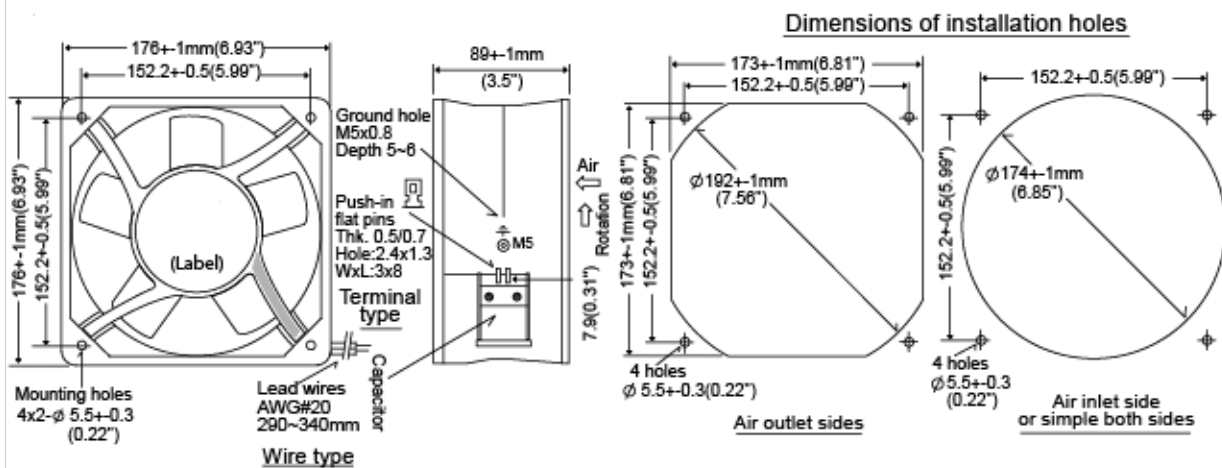
- Metal Fan Guard: TWG-180

Related Technical Information

-Optional Function Leads:

- Tachometer, speed sensor pulses 5V, input 4.5~27 VDC, 1 signal each revolution, or 2 signals each revolution available on request. Function-T
- AC Alarm Fan, DC Power supply alarm output, open collector or TTL available. Function-L Alarm DC input
- Fan abnormal speed alarm, Programmable CPU AC Power alarm output, open collector or TTL available on request. Function-P Programmable CPU Alarm
- AC Fan Dual Voltage Wiring Diagram : AC Dual Voltage 115/230VAC

Fan Performance Curves and Dimensions



* TEI reserves the right to change data and specs without notice* Tests are at nominal rated voltage against zero static pressure* Specifications subject to change without notice, data tolerance +-10%