



150x172x55 mm/6x2.2inch, 230~105 CFM

TA1755 General specifications



- Motor: Single phase, capacitor induction, 2/4 pole inner rotor, impedance protected
- Motor Protection:
- Frame: Aluminum die-cast, black color cosmetics
- Impeller: Plastic, rated UL94V-0
- Bearing: Two ball bearings
- Rotation: CW view from label side
- Operating Temp: Ambient non-condensing allowable thermal range -20~+75C
- Storage Temp:
- Life Expectancy: Indoor free air running test MTBF 100K hours at 35C, 50K hours at 60C
- Dielectric Strength: Over 1 min. at 1,500 VAC, 0.5mA, 50/60 Hz
- Insulation Resistance: Over 100 Mega Ohm at DC 500V
- IP Protection:
- Connection: Wire lead or Terminal flat pin connecting for choice
- Weight: 1100 g (2.43 Lbs)



Model No.	Rated Voltage	Voltage Range	Freq.	Input Power	Ref. Speed	Max. Airflow	Max. Static Pressure	Noise
	VAC	VAC	Hz	Watt	RPM	CFM	Inch/H2O	dB(A)
TA1755-H-110	115	100~120	50/60	26/35	2680/3200	193/230	0.55/0.68	52
TA1755-M-110	115	100~120	50/60	22/20	2400/2500	173/180	0.49/0.52	43
TA1755-L-110	115	100~120	50/60	18/16	1450/1680	105/122	0.32/0.37	32
TA1755-H/M-110 dual speed	115	100~120	50/60	-1 26/35 -2 22/20	2680/3200 2400/2500	193/230 173/180	0.55/0.68 0.49/0.52	52 43
TA1755-H/M-110	115	100~120	50/60	-2 22/20 -3 18/16	2400/2500 1450/1680	173/180 105/122	0.49/0.52 0.32/0.37	43 32
TA1755-H-220	230	200~240	50/60	26/35	2680/3200	193/230	0.55/0.68	52
TA1755-M-220	230	200~240	50/60	22/20	2400/2500	173/180	0.49/0.52	43
TA1755-L-220	230	200~240	50/60	18/16	1450/1680	105/122	0.32/0.37	32
TA1755-H/M-220 dual speed	230	200~240	50/60	-1 26/35 -2 22/20	2680/3200 2400/2500	193/230 173/180	0.49/0.52 0.49/0.52	52 43
TA1755-H/M-220 dual speed	230	200~240	50/60	-2 22/20 -3 18/16	2400/2500 1450/1680	173/180 105/122	0.49/0.52 0.32/0.37	43 32

Related Product Information

Please see our related items below for suggested products to use with this item:

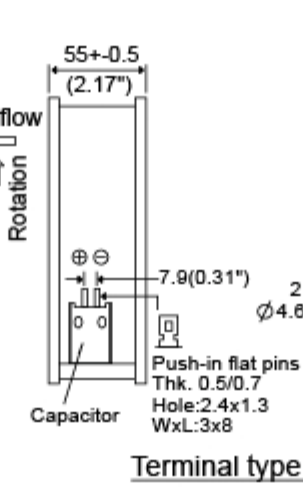
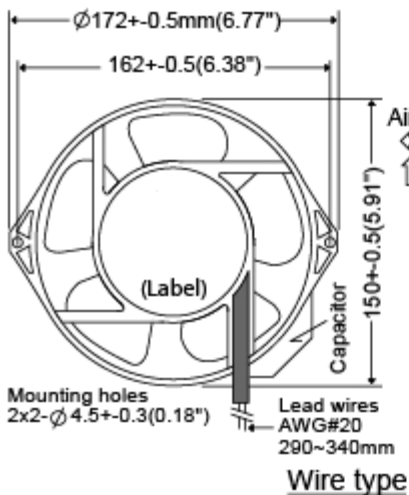
- Metal Fan Guard: TWG-172
- Plastic Fan Guard: TPG-172
- Plastic Fan Filter: TFK-172-30, TFK-172-45
- Metal Fan Screen: TMS-172

Related Technical Information

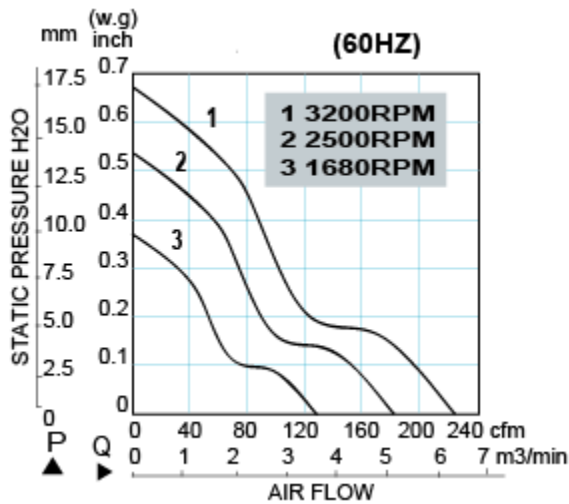
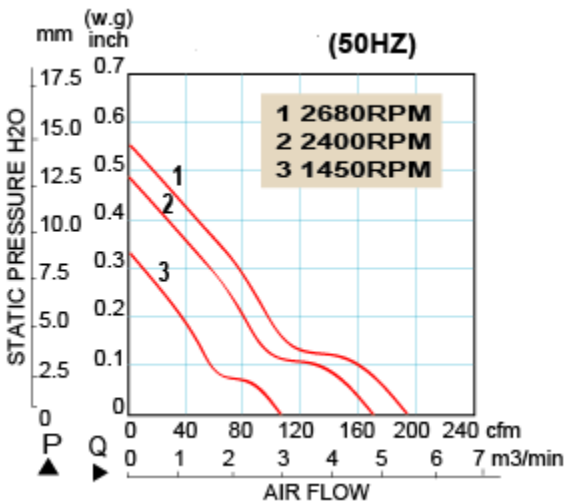
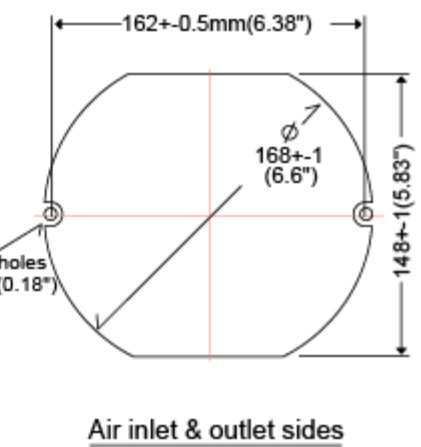
-Optional Function Leads:

- Tachometer, speed sensor pulses 5V, input 4.5~27 VDC, 1 signal each revolution, or 2 signals each revolution available on request. Function-T
- AC Alarm Fan, DC Power supply alarm output, open collector or TTL available. Function-L Alarm DC input
- Fan abnormal speed alarm, Programmable CPU AC Power alarm output, open collector or TTL available on request. Function-P Programmable CPU Alarm
- AC Fan Dual Voltage Wiring Diagram : AC Dual Fan Voltage 115/230VAC

Fan Performance Curves and Dimensions



Dimensions of installation holes



* tei reserves the right to change data and specs without notice* Tests are at nominal rated voltage against zero static pressure* Specifications subject to change without notice, data tolerance +-10%