



**Dia.172x51mm (Metal 7 Blades), 215~105 CFM**

**TA1751MR**

**General specifications**



- Motor: Shaded pole induction motor, outer rotor
- Motor Protection: Thermal protector
- Frame: Aluminum die-cast, black color
- Impeller: Metal 7 blades
- Bearing: Two ball bearings
- Rotation: CW view from label side
- Operating Temp: -30C~+80C (non-condensing)
- Storage Temp: -40C~+100C (at 65%RH)
- Life Expectancy: 50,000 hours at 55C
- Dielectric Strength: Over 1 min. at 1,500 VAC, 50/60Hz
- Insulation Resistance: Over 100 MΩ at DC 500V
- IP Protection: IP55
- Connection: Wire lead or terminal type
- Weight: 1350 g (2.98 Lbs)



Model No.	Rated Voltage VAC	Voltage Range VAC	Freq. Hz	Input Power Watt	Ref. Speed RPM	Max. Airflow CFM	Max. Static Pressure Inch/H2O	Noise dB(A)
TA1751MR-H-100	100	100~120	50/60	47/42	2750/3200	190/215	0.57/0.51	59
TA1751MR-H-110	115	100~120	50/60	47/42	2750/3200	190/215	0.57/0.51	59
TA1751MR-M-110	115	100~120	50/60	35/32	2350/2300	162/155	0.46/0.37	48
TA1751MR-L-110	115	100~120	50/60	23/20	1500/1600	105/110	0.33/0.27	36
TA1751MR-H/M-110 dual speed	115	100~120	50/60	-1 47/42 -2 35/32	2800/3200 2450/2400	195/215 165/158	0.57/0.51 0.46/0.37	59 48
TA1751MR-H/M/L-110 triple speed	115	100~120	50/60	-1 47/42 -2 35/32 -3 23/20	2800/3200 2450/2400 1550/1650	195/215 165/158 108/113	0.57/0.51 0.46/0.37 0.33/0.27	59 48 36
TA1751MR-H-200	200	200~240	50/60	47/42	2750/3200	190/215	0.57/0.51	59
TA1751MR-H-220	230	200~240	50/60	47/42	2750/3200	190/215	0.57/0.51	59
TA1751MR-M-220	230	200~240	50/60	35/32	2350/2300	162/155	0.46/0.37	48
TA1751MR-L-220	230	200~240	50/60	23/20	1500/1600	105/110	0.33/0.27	36
TA1751MR-H-240	240	200~240	50/60	47/42	2750/3200	195/215	0.57/0.51	59
TA1751MR-H/M-220 dual speed	230	200~240	50/60	-1 47/42 -2 35/32	2800/3200 2450/2400	195/215 165/158	0.57/0.51 0.46/0.37	59 48
TA1751MR-H/M/L-220 triple speed	230	200~240	50/60	-1 47/42 -2 35/32 -3 23/20	2800/3200 2450/2400 1550/1650	195/215 165/158 108/113	0.57/0.51 0.46/0.37 0.33/0.27	59 48 36
TA1751MR-H-110/220 dual voltage	115 230	100~120 200~240	50/60	47/42	2750/3200	195/215	0.57/0.51	59
TA1751MR-H-12	12	12~14	50/60	47/42	2700/3200	190/215	0.57/0.51	59
TA1751MR-H-24	24	24~28	50/60	47/42	2700/3200	190/215	0.57/0.51	59
TA1751MR-H-28	28	28~34	50/60	47/42	2700/3200	190/215	0.57/0.51	59
TA1751MR-H-48	48	40~58	50/60	47/42	2700/3200	190/215	0.57/0.51	59
TA1751MR-H-380	380	380~420	50/60	49/45	2700/3200	190/215	0.57/0.51	59
TA1751MR-H-440	440	440~480	50/60	47/42	2700/3200	190/215	0.57/0.51	59

**Related Product Information**

Please see our related items below for suggested products to use with this item:

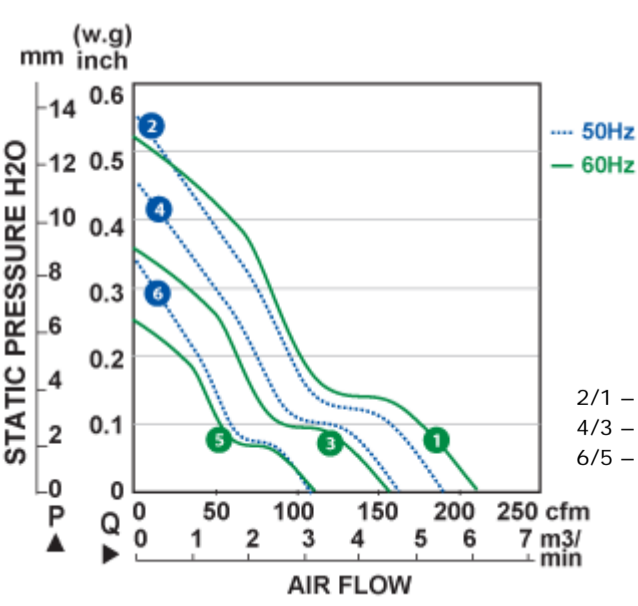
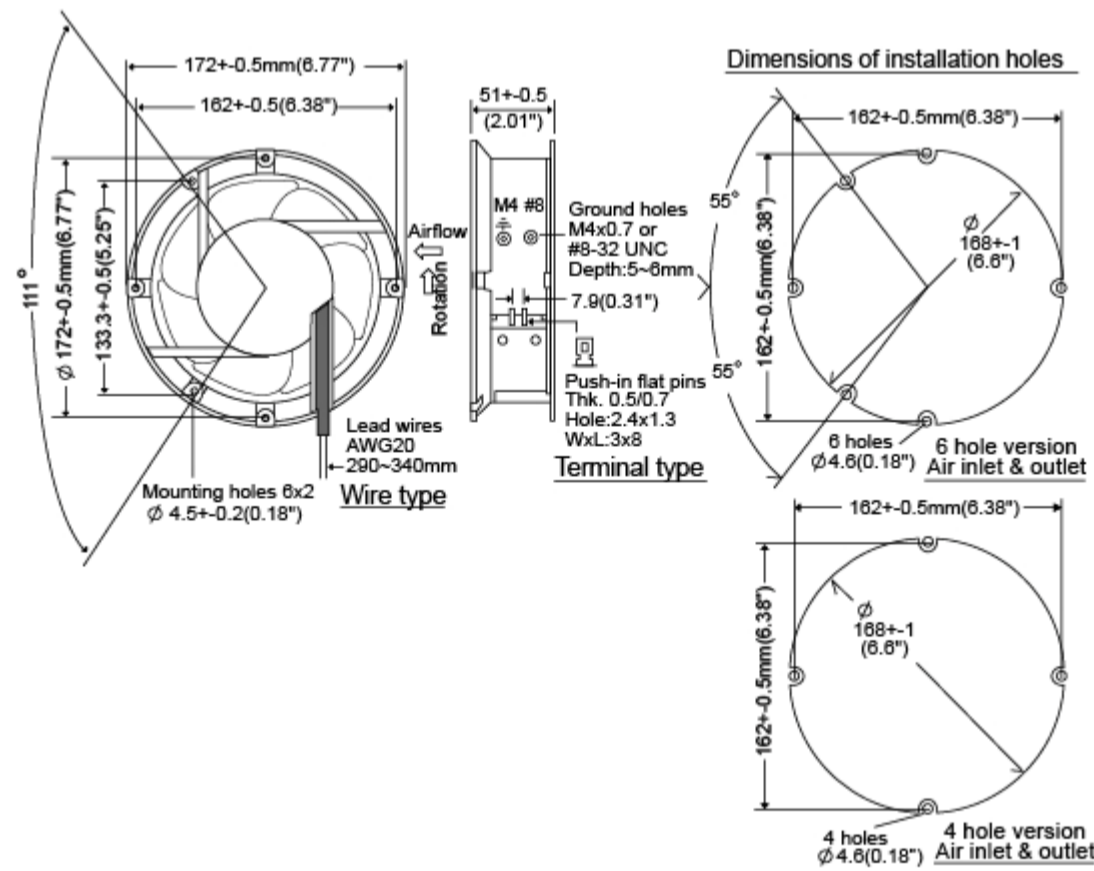
- Metal Fan Guard: TPG-172
- Plastic Fan Guard: TPG-172
- Plastic Fan Filter: TFK-172-30, TFK-172-45
- Metal Fan Screen: TMS-172

**Related Technical Information**

-Optional Function Leads:

- Tachometer, speed sensor pulses 5V, input 4.5~27 VDC, 1 signal each revolution, or 2 signals each revolution available on request. Function-T
- AC Alarm Fan, DC Power supply alarm output, open collector or TTL available. Function-L Alarm DC input
- Fan abnormal speed alarm, Programmable CPU AC Power alarm output, open collector or TTL available on request. Function-P Programmable CPU Alarm
- AC Metal Fan Dual Voltage Wiring Diagram : AC Metal Fan Dual Voltage 115/230VAC
- AC Metal Fan Multiple Speed Wiring Diagram : AC Metal Fan Multiple Speed High/Medium/Low

**Fan Performance Curves and Dimensions**



\* TEI reserves the right to change data and specs without notice\* Tests are at nominal rated voltage against zero static pressure\*Specifications subject to change without notice, data tolerance +-10%