



172x150x38.5mm(Metal 5 Blades), 178~110 CFM

TA1738M General specifications



- Motor: Shaded pole induction motor, outer rotor
- Motor Protection: Thermal protector
- Frame: Aluminum die-cast, black color
- Impeller: Metal 5 blades
- Bearing: Two ball bearings
- Rotation: CCW view from label side
- Operating Temp: -30C ~ +80C (non-condensing)
- Storage Temp: -40C ~ +100C (at 65%RH)
- Life Expectancy: 50,000 hours at 55C
- Dielectric Strength: Over 1 min. at 1,500 VAC, 50/60Hz
- Insulation Resistance: Over 100 MΩ at DC 500V
- IP Protection: IP55
- Connection: Wire leads or terminal type
- Weight: 650 g (1.43 Lbs)



Model No.	Rated Voltage VAC	Voltage Range VAC	Freq. Hz	Input Power Watt	Ref. Speed RPM	Max. Airflow CFM	Max. Static Pressure Inch/H2O	Noise dB(A)
TA1738M-H-100	100	100~120	50/60	40/32	2300/2400	165/178	0.48/0.55	49
TA1738M-H-110	115	100~120	50/60	40/32	2300/2400	165/178	0.48/0.55	49
TA1738M-M-110	115	100~120	50/60	32/28	2050/2000	143/140	0.41/0.45	43
TA1738M-L-110	115	100~120	50/60	24/22	1500/1400	120/110	0.29/0.31	32
TA1738M-H-200	200	200~240	50/60	40/32	2300/2400	165/178	0.48/0.55	49
TA1738M-H-220	230	200~240	50/60	40/32	2300/2400	165/178	0.48/0.55	49
TA1738M-M-220	230	200~240	50/60	32/28	2050/2000	143/140	0.41/0.45	43
TA1738M-L-220	230	200~240	50/60	24/22	1500/1400	120/110	0.29/0.31	32
TA1738M-H-240	240	200~240	50/60	40/32	2300/2400	165/175	0.48/0.55	49
TA1738M-H-110/220 dual voltage	115 230	100~120 200~240	50/60	40/32	2300/2400	165/178	0.48/0.55	49
TA1738M-H-12	12	12~14	50/60	40/32	2300/2400	165/178	0.48/0.55	49
TA1738M-H-24	24	24~28	50/60	40/32	2300/2400	165/178	0.48/0.55	49
TA1738M-H-28	28	28~34	50/60	40/32	2300/2400	165/178	0.48/0.55	49
TA1738M-H-48	48	48~58	50/60	40/32	2300/2400	165/178	0.48/0.55	49
TA1738M-H-380	380	380~420	50/60	40/32	2300/2400	165/178	0.48/0.55	49
TA1738M-H-440	440	420~480	50/60	40/32	2300/2400	165/178	0.48/0.55	49

Related Product Information

Please see our related items below for suggested products to use with this item:

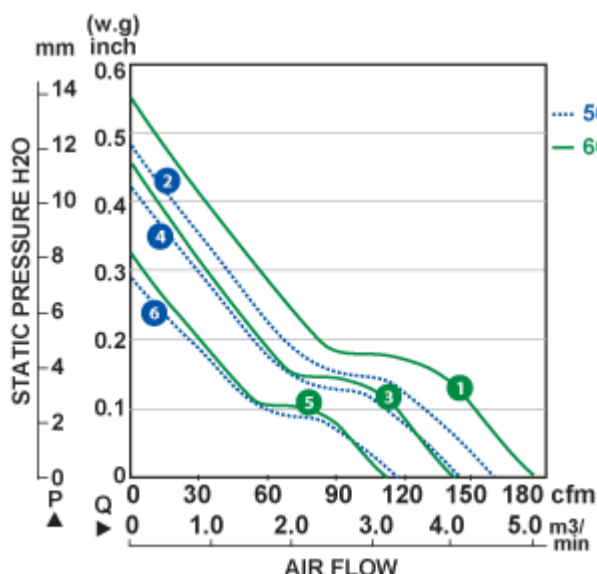
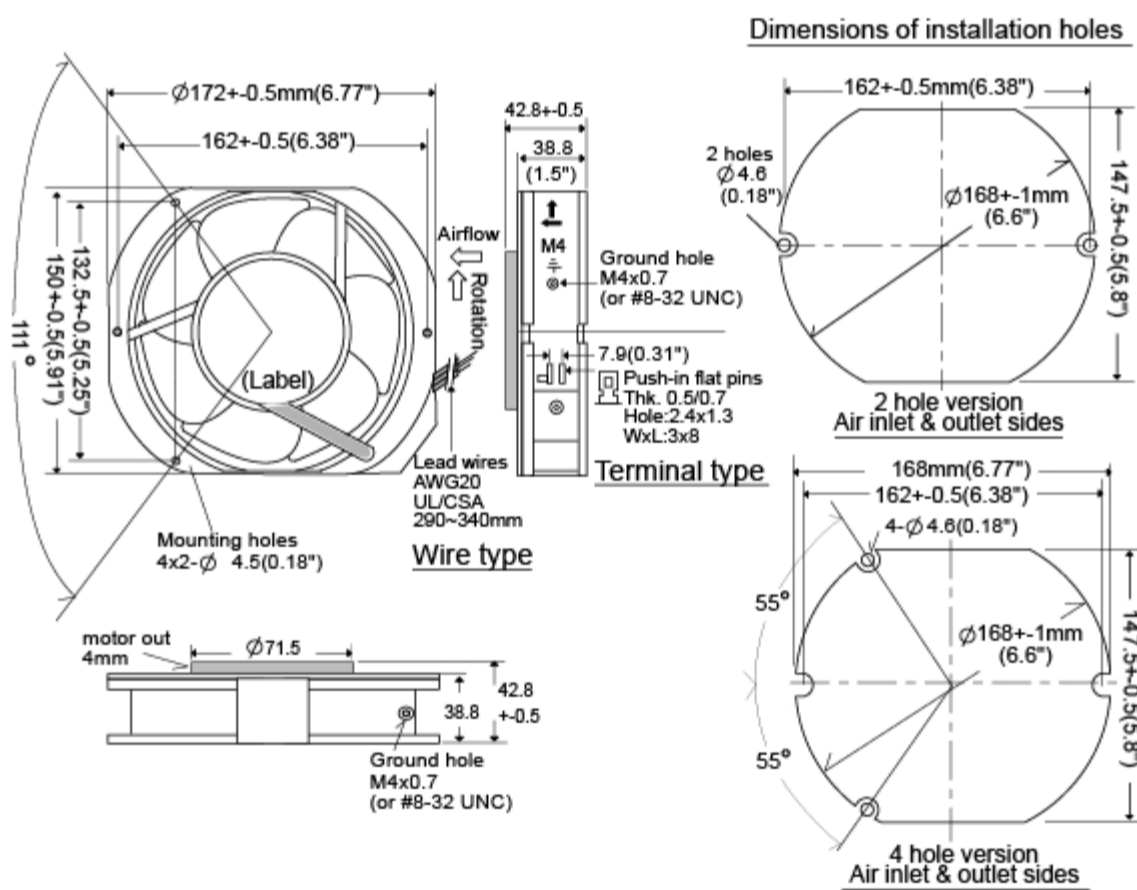
- Metal Fan Guard: TWG-172
- Plastic Fan Guard: TPG-172
- Plastic Fan Filter: TFK-172-30, TFK-172-45
- Metal Fan Screen: TMS-172

Related Technical Information

-Optional Function Leads:

- Tachometer, speed sensor pulses 5V, input 4.5~27 VDC, 1 signal each revolution, or 2 signals each revolution available on request. Function-T
- AC Alarm Fan, DC Power supply alarm output, open collector or TTL available. Function-P Alarm DC input
- Fan abnormal speed alarm, Programmable CPU AC Power alarm output, open collector or TTL available on request. Function-P Programmable CPU Alarm
- AC Metal Fan Dual Voltage Wiring Diagram : AC Metal Fan Dual Voltage 115/230VAC
- AC Metal Fan Multiple Speed Wiring Diagram : AC Metal Fan Multiple Speed H/M/L

Fan Performance Curves and Dimensions



* TEI reserves the right to change data and specs without notice* Tests are at nominal rated voltage against zero static pressure*Specifications subject to change without notice, data tolerance +-10%