
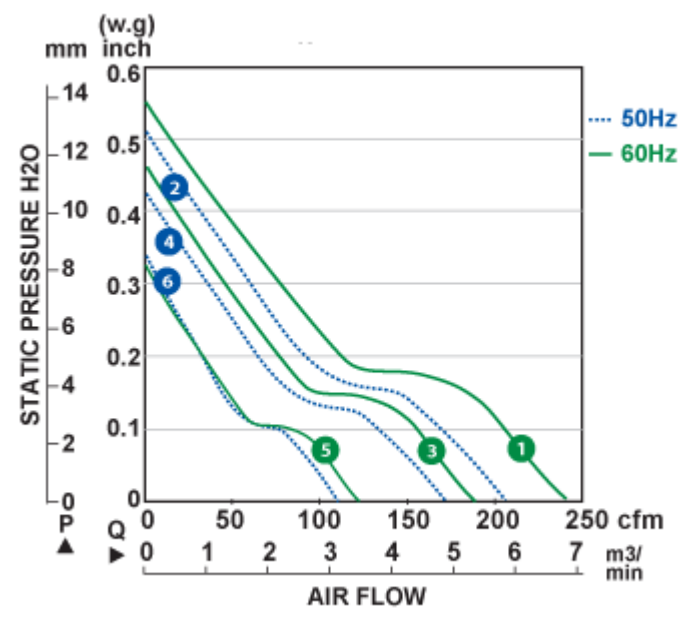
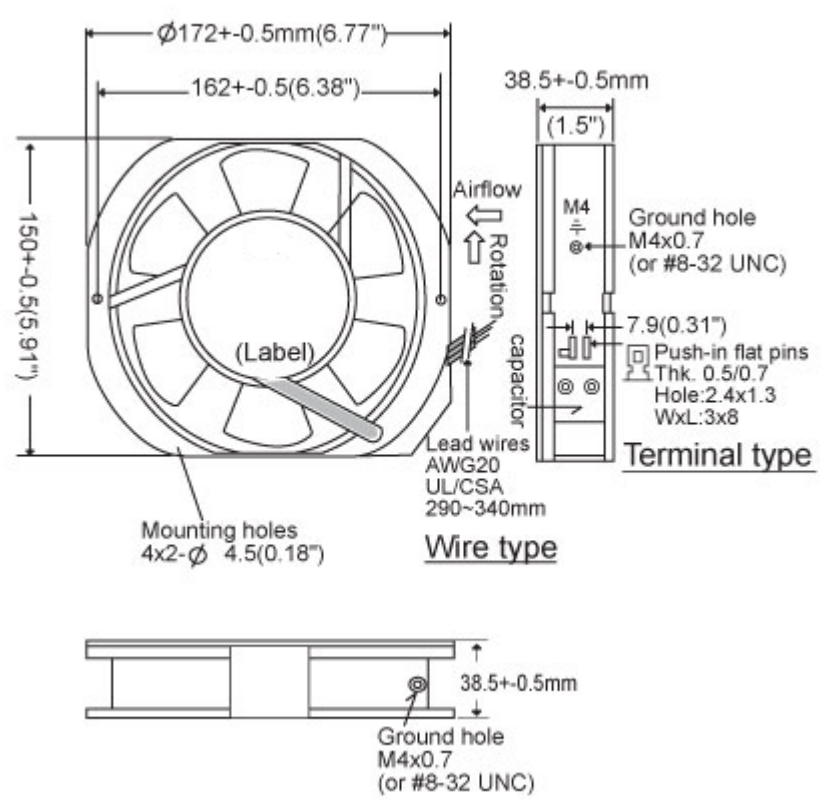




172x150x38.5mm , 240~110CFM

TA150M		General specifications						
		<ul style="list-style-type: none"> <li>-Motor: Capacitor induction motor, outer rotor</li> <li>-Motor Protection: Thermal protector</li> <li>-Frame: Aluminum die-cast, black color</li> <li>-Impeller: Metal 6 blades</li> <li>-Bearing: Two ball bearings</li> <li>-Rotation: CW view from label side</li> <li>-Operating Temp: -30°C~+80°C (non-condensing)</li> <li>-Storage Temp: -40°C~+100°C (at 65%RH)</li> <li>-Life Expectancy: 50,000 hours at 55°C</li> <li>-Dielectric Strength: Over 1 min. at 1,500 VAC, 50/60Hz</li> <li>-Insulation Resistance: Over 100 MΩ at DC 500V</li> <li>-IP Protection:</li> <li>-Connection: Wire leads or terminal type</li> <li>-Weight: 820 g (1.8 Lbs)</li> <li>-UL File # E195890</li> </ul>						
Model No.	Rated Voltage	Voltage Range	Freq.	Input Power	Ref. Speed	Max. Airflow	Max. Static Pressure	Noise
	VAC	VAC	Hz	Watt	RPM	CFM	Inch/H2O	dB(A)
TA150M-H-110	115	100~120	50/60	25/24	2700/3100	205/240	0.51/0.54	58
TA150M11-M-110	115	100~120	50/60	23/22	2300/2400	170/180	0.43/0.47	43
TA150M11-L-110	115	100~120	50/60	18/19	1500/1600	110/120	0.34/0.33	32
TA150M22-H-220	230	200~240	50/60	25/24	2700/3100	205/240	0.51/0.54	58
TA150M22-M-220	230	200~240	50/60	23/22	2300/2400	170/180	0.43/0.47	43
TA150M22-L-220	230	200~240	50/60	18/19	1500/1600	110/120	0.34/0.33	32
TA150M-H-110/220 dual voltage	115	100~120	50/60	25/24	2700/3100	205/240	0.51/0.54	58
	230	200~240						

Fan Performance Curves and Dimensions



\* TEI reserves the right to change data and specs without notice\* Tests are at nominal rated voltage against zero static pressure\* Specifications subject to change without notice, data tolerance +-10%